



## EE Ferrite Core Coil Formers

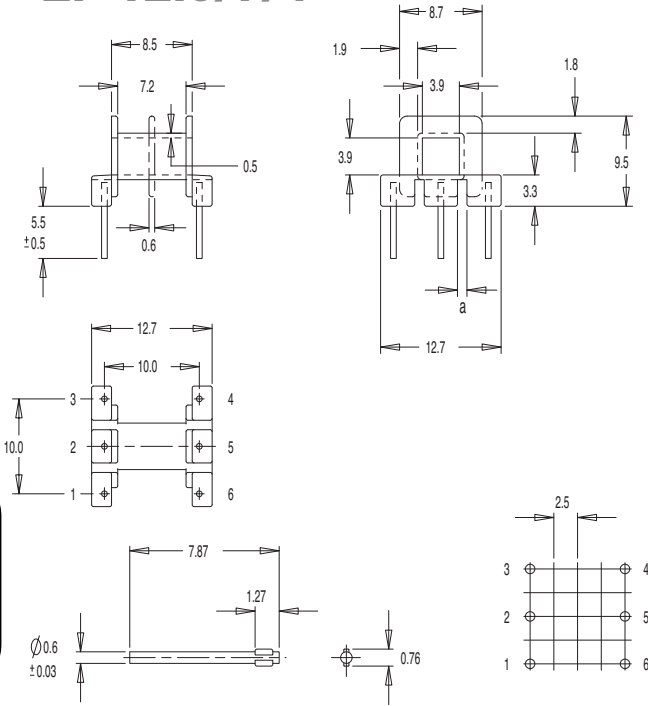
The following EE coil formers and accessories are available from stock at Miles-Platts Limited. Please refer to our web site for technical information or contact sales for a copy of our detailed Ferrite catalogue.

The coil formers in the table below are mainly manufactured in phenolic materials.

<b>Core Type</b>	<b>PartNumber</b>	<b>Product Description</b>
EE5	EE05H1S06GP-00	Coilformer, SMD - GW pin
EE5	EE05H2S06GP-00	Coilformer, SMD - GW pin
EE5	EE05COVERP-00	Cover
EE5	EE05H1S06GS-00	Coilformer, SMD - GW pin
EE5	EE05CLIPM-01	Mounting Clip
EE5	EE05CLIPM-02	Mounting Clip
EE5	EE05CLIPM-00	Mounting Clip Cover
EE 6.3	EE06H1S06GS-00	Coilformer, SMD GW pin
EE 6.3	EE06H2S06GS-00	Coilformer, SMD GW pin
EE 6.3	EE06CLIPM-01	Mounting Clip
EE 6.3	EE06CLIPM-02	Mounting Clip
EE 6.3	EE06CLIPM-00	Mounting Clip Cover
EF12.6	EF12H1S10GS-00	Coilformer, SMD-GW pin
EF12.6	EF12COVERP-00	Cover
EF12.6	EF12CLIPM-00	Mounting Clip
EF12.6	EF12COVERM-00	Mounting Cover
EF16	EF16CLIPM-00	Mounting Clip
EF20	EF20CLIPM-00	Mounting Clip
EF25	EF25CLIPEM-01	Mounting Clip with earthpin



EF 12.6/7/4



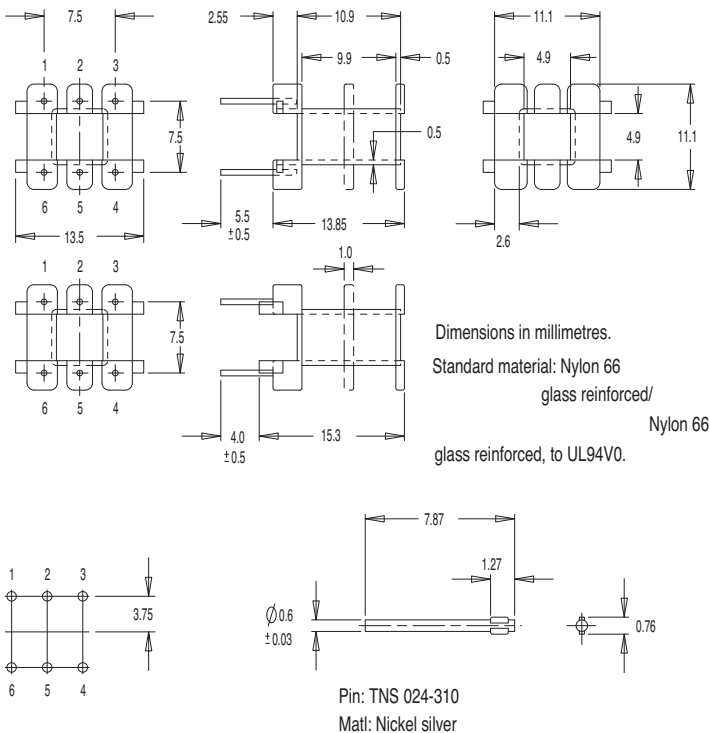
Pin: TNS 024-310

Bobbin size	Type	No. of pins available	Pin size	a	Part No.
EF 12.6/7/4	SS	6 (2 x 3)	Ø0.6	1.0	FE0010
EF 12.6/7/4	DS	6 (2 x 3)	Ø0.6	1.0	FE0011
EF 12.6/7/4	DS	6 (2 x 3)	Ø0.6	2.5	FE0055

Standard materials: Nylon 66 glass reinforced /  
Nylon 66 glass reinforced to UL94V0  
Pin material: Nickel Silver Dimensions in millimetres

Section 5

EF 16/8/5/ VERTICAL



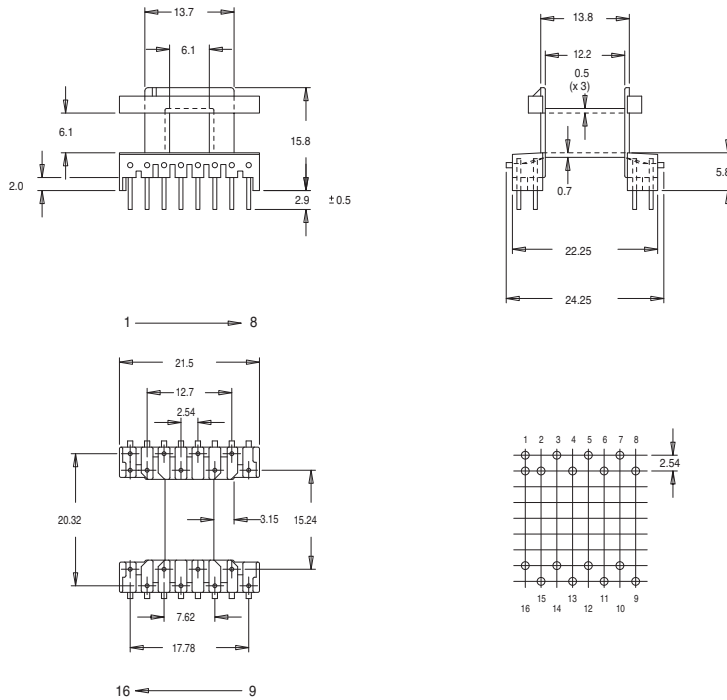
Pin: TNS 024-310

Bobbin size	Type/Description	No. of pins available	Pin size	Part No.
EF 16/8/5	SS	6 (2 x 3)	Ø0.6	FE0030
EF 16/8/5	SS With stand offs	6 (2 x 3)	Ø0.6	FE0031
EF 16/8/5	DS	6 (2 x 3)	Ø0.6	FE0032
EF 16/8/5	DS With stand offs	6 (2 x 3)	Ø0.6	FE0033

Standard materials: Nylon 66 glass reinforced /  
Nylon 66 glass reinforced to UL94V0  
Pin material: Nickel Silver Dimensions in millimetres



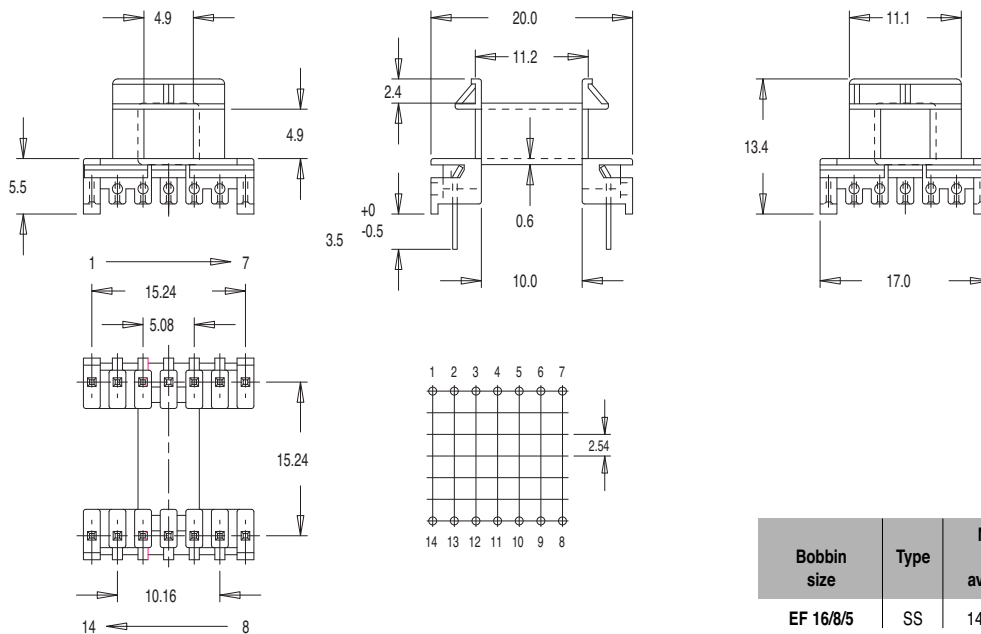
## EF 20 HORIZONTAL (16-pin)



Bobbin size	Description	No. of pins available	Pin size	Part No.
EF20	SS	16 (2 x 8)	Ø0.6	FE0072

Standard materials: Nylon 46 glass reinforced to UL94V0  
Pin material: Phosphor Bronze Dimensions in millimetres

## EF 16/8/5 HORIZONTAL (14-pin)

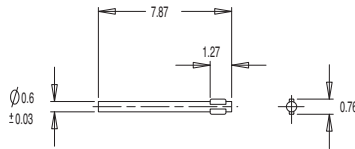


Bobbin size	Type	No. of pins available	Pin size	Part No.
EF 16/8/5	SS	14 (2 x 7)	0.45 Sq.	FE0047

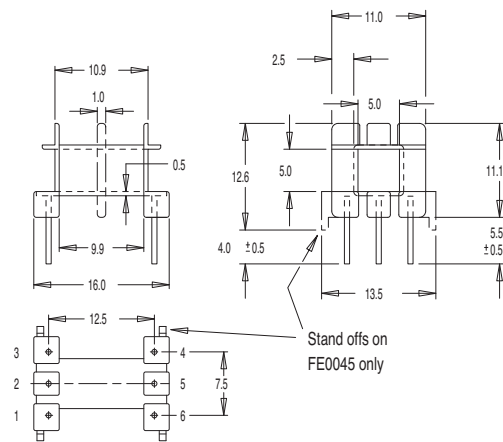
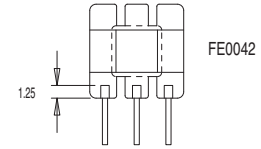
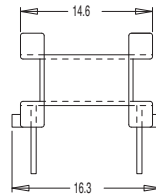
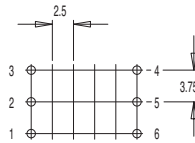
Standard materials: Nylon 46 glass reinforced to UL94V0  
Pin material: Phosphor Bronze Dimensions in millimetres



EF 16/8/5 HORIZONTAL



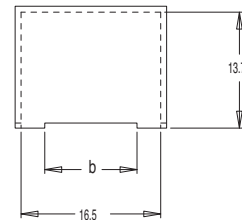
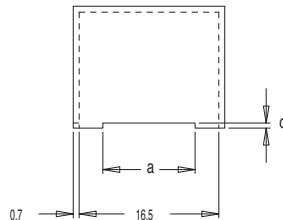
Pin: TNS 024-310  
Matl: Nickel silver



Bobbin size	Type/Description	No. of pins available	Pin size	Part No.
EF 16/8/5	SS	6 (2 x 3)	Ø0.6	FE0040
EF 16/8/5	DS	6 (2 x 3)	Ø0.6	FE0041
EF 16/8/5	SS With pegs	6 (2 x 3)	Ø0.6	FE0042
EF 16/8/5	DS With s/off	6 (2 x 3)	Ø0.6	FE0045

Standard materials: Nylon 66 glass reinforced / Nylon 66 glass reinforced to UL94V0 Pin material: Nickel Silver Dimensions in millimetres

EF 16 BOX

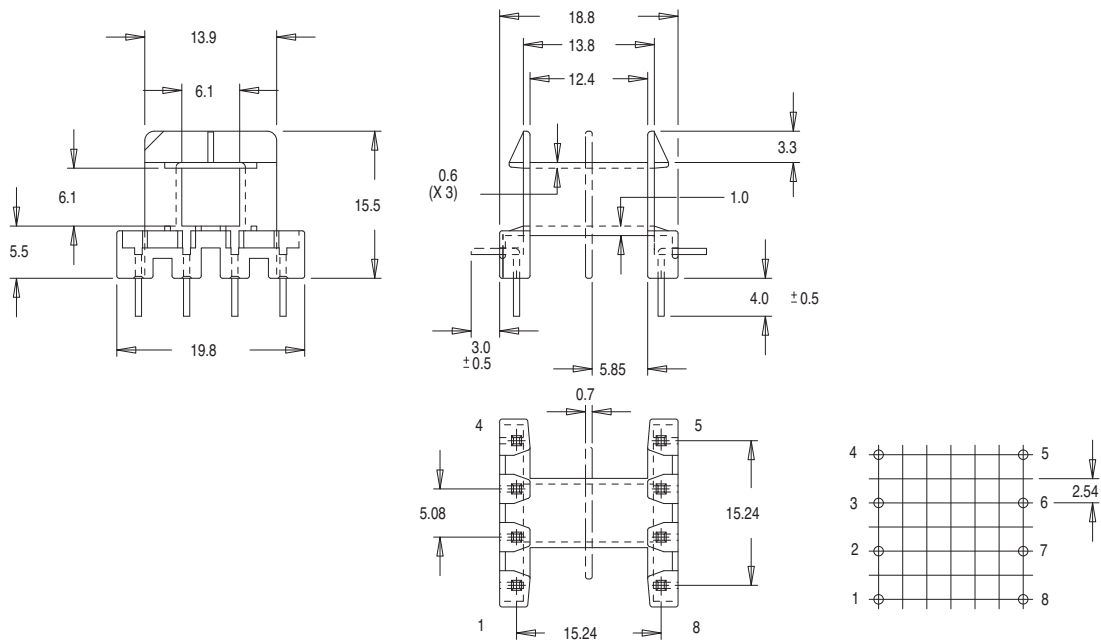


Description	a	b	c	Part No.
EF 16 Box	-	-	-	FE0050
EF 16 Box With legs	10.9	10.9	0.6	FE0051

Standard materials: FE0050 Nylon 66 glass reinforced / Nylon 66 glass reinforced to UL94V0, FE0051 Nylon 66 / Nylon 66 to UL94V0  
Dimensions in millimetres



## EF 20 HORIZONTAL

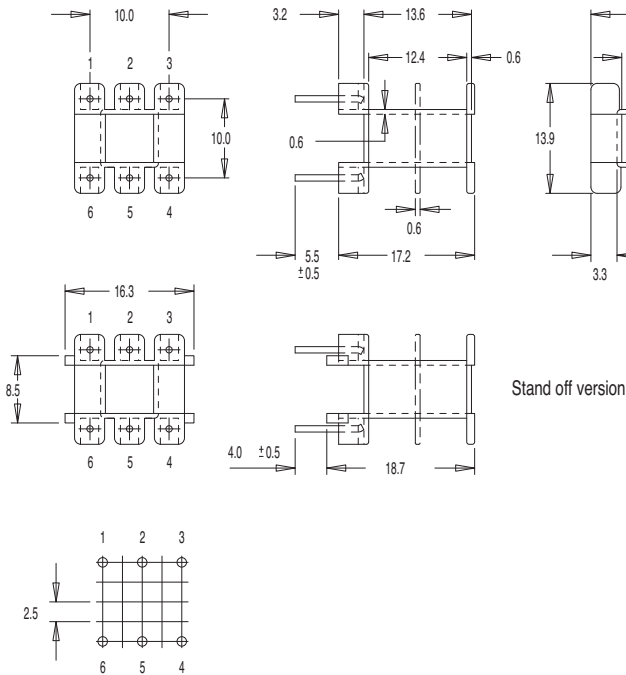


Bobbin size	Type	No. of terminals available	Terminal type	Part No.
EF 20	SS	8 (2 x 4)	0.635 Sq.	FE0065
EF 20	DS	8 (2 x 4)	0.635 Sq.	FE0066

Standard materials: Nylon 46 glass reinforced to UL94V0  
Pin material: Phosphor Bronze Dimensions in millimetres



EF 20/10/6 VERTICAL

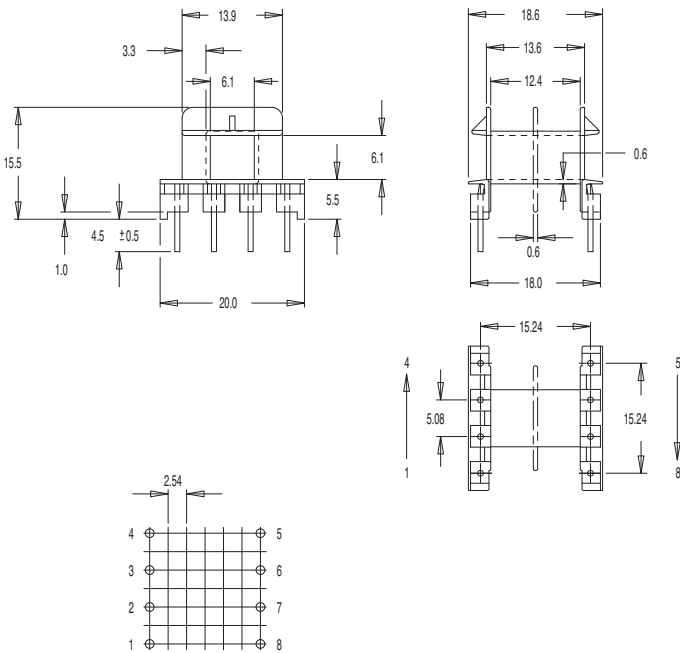


Stand off version

Bobbin size	Type/Description	No. of pins available	Pin size	Part No.
EF 20/10/6	SS	6 (2 x 3)	Ø0.8 or 0.7 Sq.	FE0060
EF 20/10/6	SS with stand offs	6 (2 x 3)	Ø0.8 or 0.7 Sq.	FE0061
EF 20/10/6	DS	6 (2 x 3)	Ø0.8 or 0.7 Sq.	FE0062
EF 20/10/6	DS with stand offs	6 (2 x 3)	Ø0.8 or 0.7 Sq.	FE0063

Standard materials: Nylon 66 glass reinforced /  
Nylon 66 glass reinforced to UL94V0  
Pin material: Phosphor Bronze Dimensions in millimetres

EF 20/10/6 HORIZONTAL

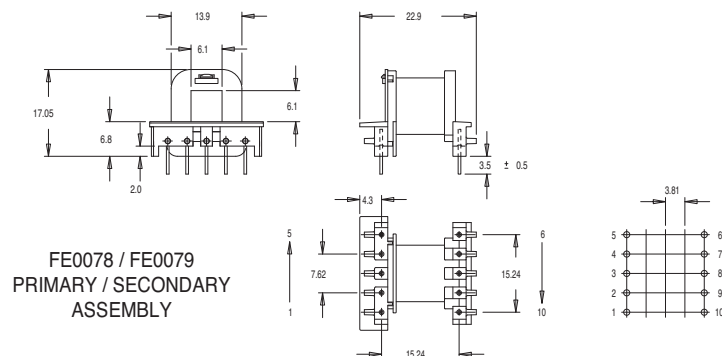
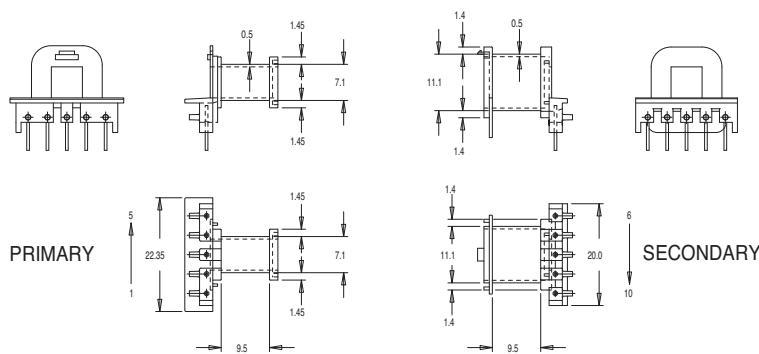
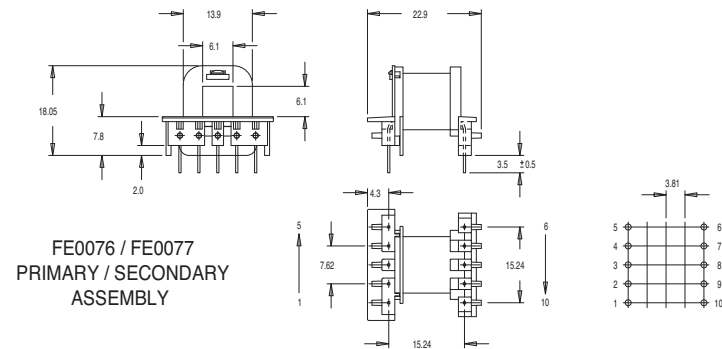
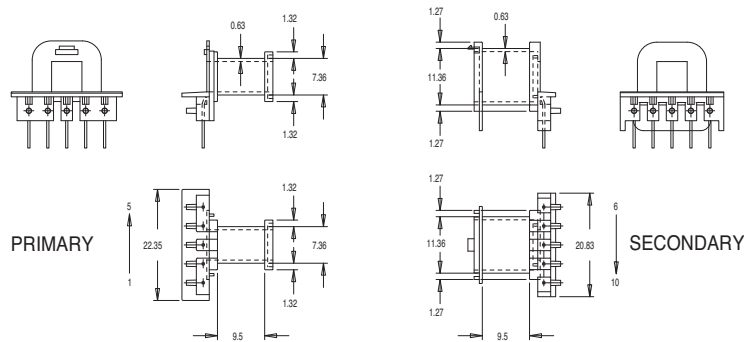


Bobbin size	Type	No. of pins available	Pin size	Part No.
EF 20/10/6	SS	8 (2 x 4)	Ø0.7	FE0070
EF 20/10/6	DS	8 (2 x 4)	Ø0.7	FE0071

Standard materials: Nylon 66 glass reinforced /  
Nylon 66 glass reinforced to UL94V0  
Pin material: Ø0.7 Phosphor Bronze.  
Dimensions in millimetres



## EF 20 HORIZONTAL (Primary & Secondary)



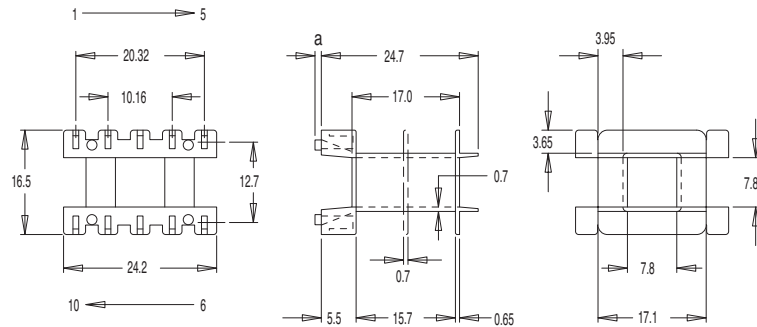
Bobbin size	Description	No. of pins available	Pin size	Part No.
EF 20	Primary	5 (1 x 5)	0.45 Sq.	FE0076
EF 20	Secondary	5 (1 x 5)	0.45 Sq.	FE0077
EF 20	Primary	5 (1 x 5)	0.45 Sq.	FE0078
EF 20	Secondary	5 (1 x 5)	0.45 Sq.	FE0079

Standard materials: Nylon 46 glass reinforced to UL94V0  
Pin material: Phosphor Bronze  
Dimensions in millimetres

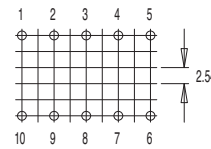
Most products are available direct from stock with same day despatch  
- please contact sales for details



EF 25/13/7 VERTICAL

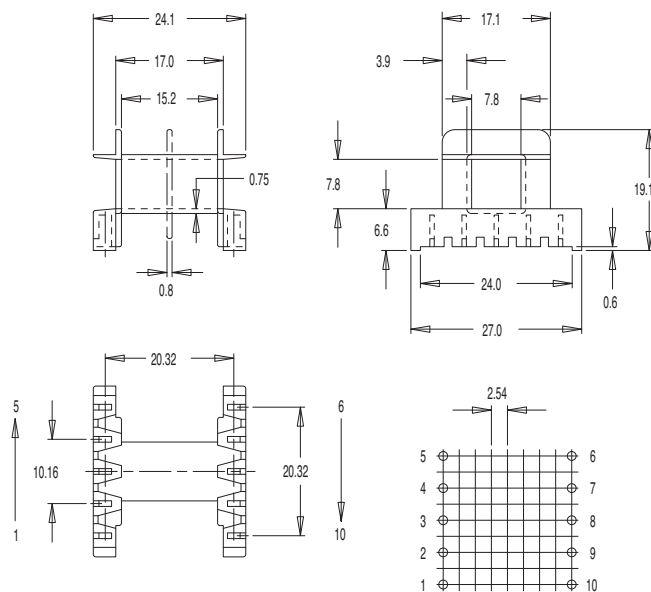
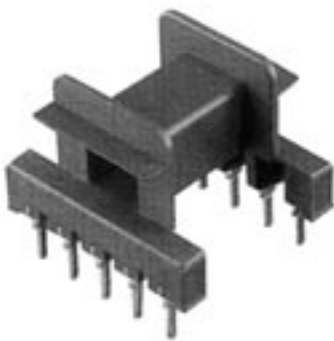


Bobbin size	Type/Description	Terminal type	No. of terminals available	a	Part No.
EF 25/13/7	SS With stand offs	TBS 600 Series	10 (2 x 5)	1.0	FE0100
EF 25/13/7	DS With stand offs	TBS 600 Series	10 (2 x 5)	1.0	FE0101
EF 25/13/7	SS	TBS 600 Series	10 (2 x 5)	-	FE0102
EF 25/13/7	DS	TBS 600 Series	10 (2 x 5)	-	FE0103



Standard materials: Nylon 66 glass reinforced to UL94V0 Dimensions in millimetres

EF 25/13/7 HORIZONTAL



Bobbin size	Type	Terminal type	No. of terminals available	Part No.
EF 25/13/7	SS	TBS 600 Series	10 (2 x 5)	FE0110
EF 25/13/7	DS	TBS 600 Series	10 (2 x 5)	FE0111

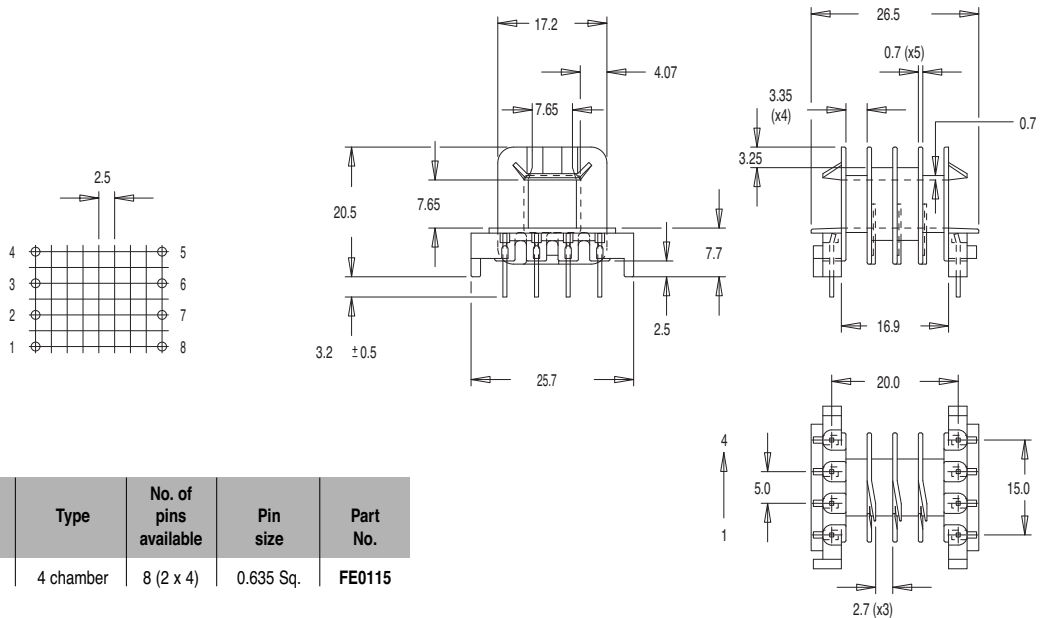
Standard materials: Nylon 66 glass reinforced to UL94V0 Dimensions in millimetres

Miles-Platts terminals & wire are now being converted to lead-free  
- please refer to technical sales for details





## EF 25/13/7 HORIZONTAL

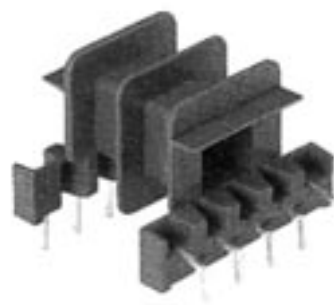
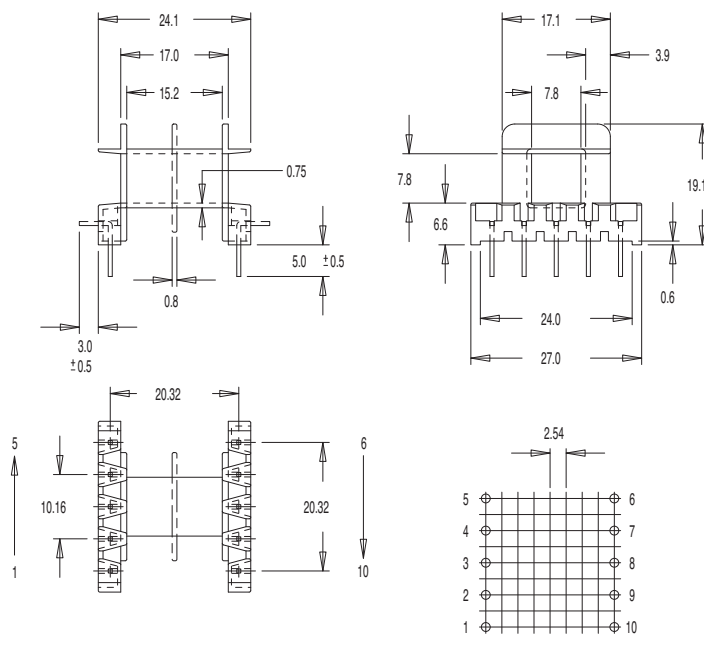


Bobbin size	Type	No. of pins available	Pin size	Part No.
EF 25/13/7	4 chamber	8 (2 x 4)	0.635 Sq.	FE0115

Standard materials: Nylon 66 glass reinforced to UL94V0  
 Pin material: Phosphor Bronze Dimensions in millimetres

Section 5

## EF 25/13/7 HORIZONTAL

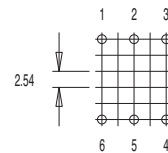
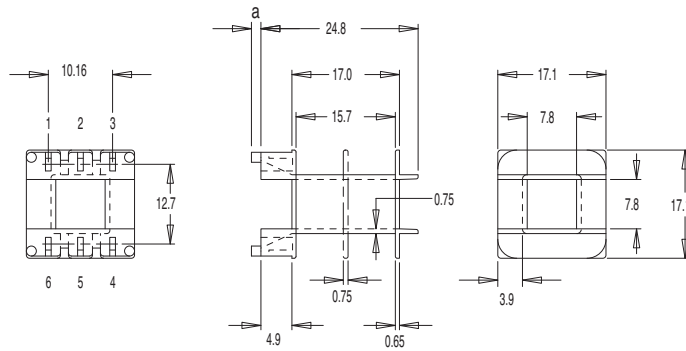


Bobbin size	Type	No. of pins available	Pin size	Part No.
EF 25/13/7	SS	10 (2 x 5)	0.635 Sq.	FE0116
EF 25/13/7	DS	10 (2 x 5)	0.635 Sq.	FE0117

Standard materials: Nylon 66 glass reinforced to UL94V0  
 Pin material: Phosphor Bronze Dimensions in millimetres

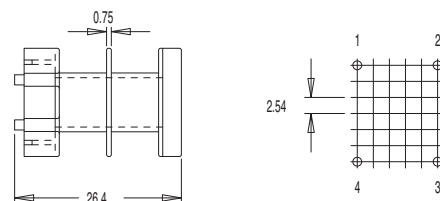
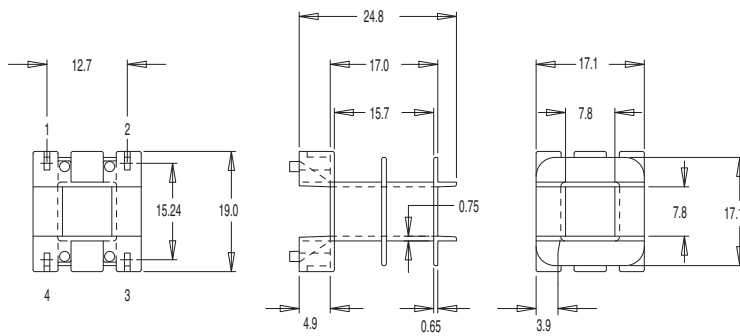


EF 25/13/7 VERTICAL FILTER



Bobbin size	Type/Description	Terminal type	No. of terminals available	a	Part No.
EF 25/13/7	SS With stand offs	TBS 600 Series	6 (2 x 3)	1.7	FE0080
EF 25/13/7	DS With stand offs	TBS 600 Series	6 (2 x 3)	1.7	FE0081
EF 25/13/7	SS	TBS 600 Series	6 (2 x 5)	-	FE0082
EF 25/13/7	DS	TBS 600 Series	6 (2 x 5)	-	FE0083

Standard materials: Nylon 66 glass reinforced to UL94V0 Dimensions in millimetres

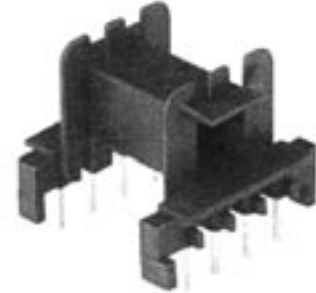
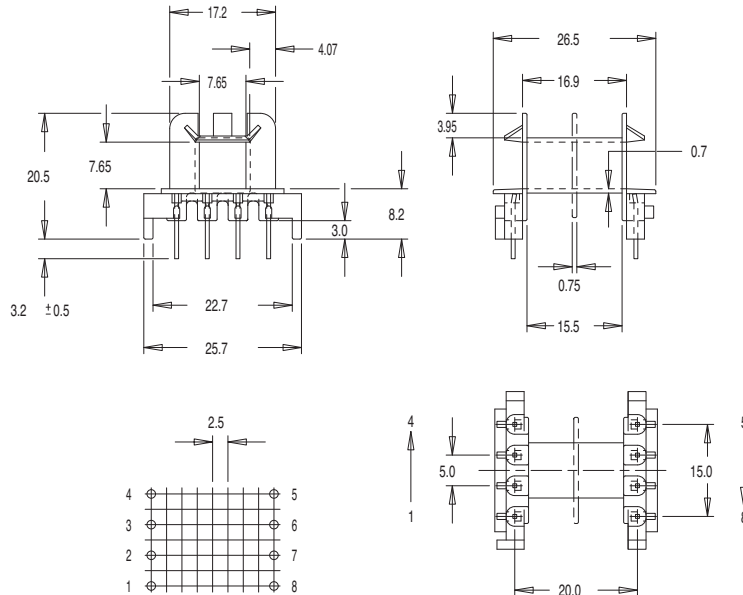


Bobbin size	Type	Terminal type	No. of terminals available	Part No.
EF 25/13/7	DS	TBS 600 Series	4 (2 x 2)	FE0084

Standard materials: Nylon 66 glass reinforced to UL94V0 Dimensions in millimetres



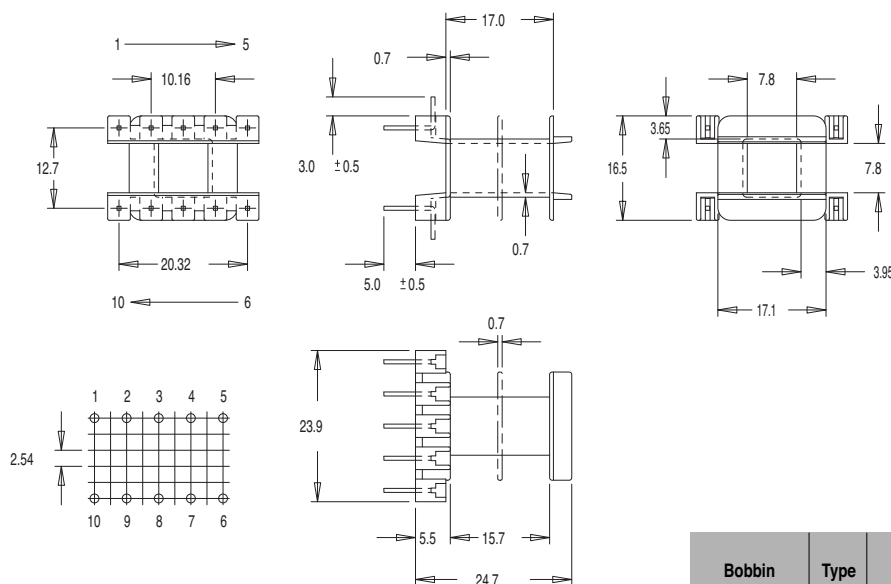
## EF 25/13/7 HORIZONTAL



Bobbin size	Type	No. of Pins available	Pin size	Part No.
EF 25/13/7	SS	8 (2 x 4)	0.635 Sq.	FE0118
EF 25/13/7	DS	8 (2 x 4)	0.635 Sq.	FE0119

Standard materials: Nylon 66 glass reinforced to UL94V0  
Pin material: Phosphor Bronze Dimensions in millimetres

## EF 25/13/7 VERTICAL

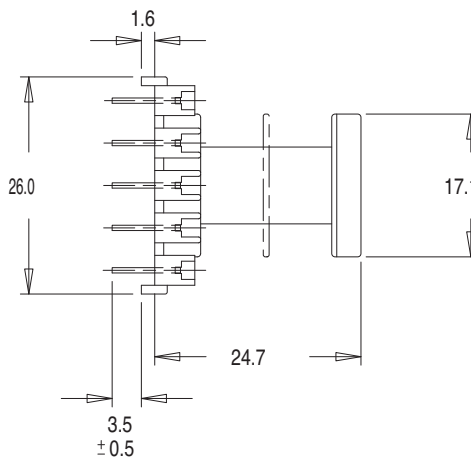
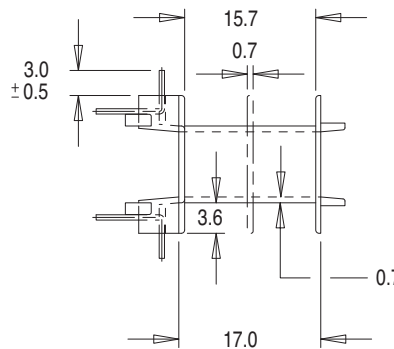
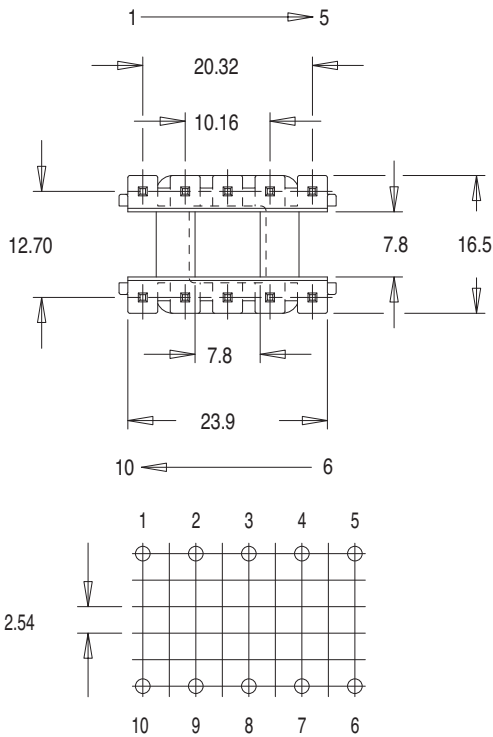


Bobbin size	Type	No. of Pins available	Pin size	Part No.
EF 25/13/7	SS	10 (2 x 5)	0.635 Sq.	FE0106
EF 25/13/7	DS	10 (2 x 5)	0.635 Sq.	FE0107

Standard materials: Nylon 66 glass reinforced to UL94V0  
Pin material: Phosphor Bronze Dimensions in millimetres



## EF 25/13/7 VERTICAL



Section 5

Bobbin size	Type	No. of terminals available	Terminal type	Part No.
EF 25/13/7	SS	10 (2 x 5)	0.635 Sq.	FE0104
EF 25/13/7	DS	10 (2 x 5)	0.635 Sq.	FE0105

Standard materials: Nylon 66 glass reinforced to UL94V0  
 Pin material: Phosphor Bronze Dimensions in millimetres

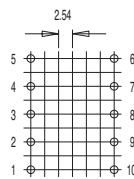
Most products are available direct from stock with same day despatch  
 - please contact sales for details



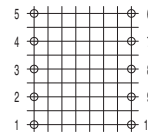
# E/EF Ferrite Core Coil Formers

**MILES · PLATTS**

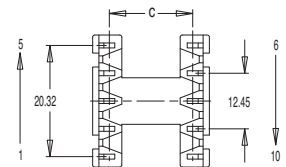
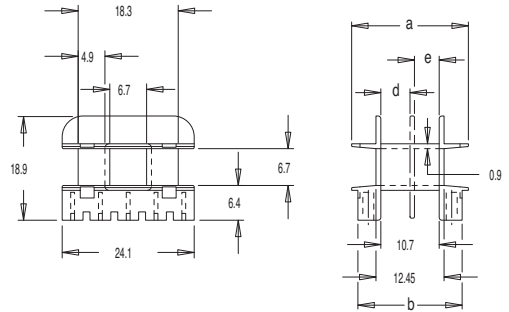
## EF 25 X 19 X 6 (F1238)\*



FE0120  
FE0121  
FE0122



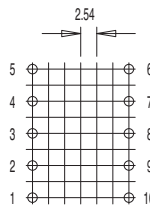
FE0123  
FE0124  
FE0125



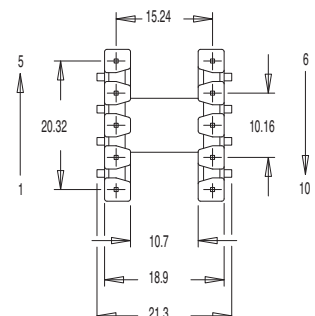
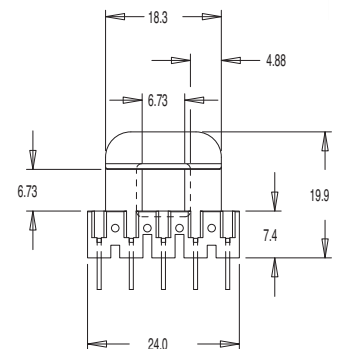
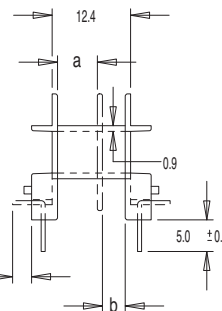
Bobbin size	Type	Terminal type	No. of terminals available	a	b	c	d	e	Part No.
EF 25 x 19 x 6	SS	TBS 600 Series	10 (2 x 5)	21.3	19.0	15.2	-	-	FE0120
EF 25 x 19 x 6	DS	TBS 600 Series	10 (2 x 5)	..	..	..	4.9	4.9	FE0121
EF 25 x 19 x 6	DS	TBS 600 Series	10 (2 x 5)	..	..	..	6.2	3.6	FE0122
EF 25 x 19 x 6	SS	TBS 600 Series	10 (2 x 5)	21.6	21.6	17.8	-	-	FE0123
EF 25 x 19 x 6	DS	TBS 600 Series	10 (2 x 5)	..	..	..	4.9	4.9	FE0124
EF 25 x 19 x 6	DS	TBS 600 Series	10 (2 x 5)	..	..	..	6.2	3.6	FE0125

Standard materials: Nylon 66 glass reinforced / Nylon 66 glass reinforced to UL94V0  
Dimensions in millimetres \*Accepts 187 & 262 Lamination sizes

## E 25 X 19 X 6 (F1238)\*



3.0  
±0.5



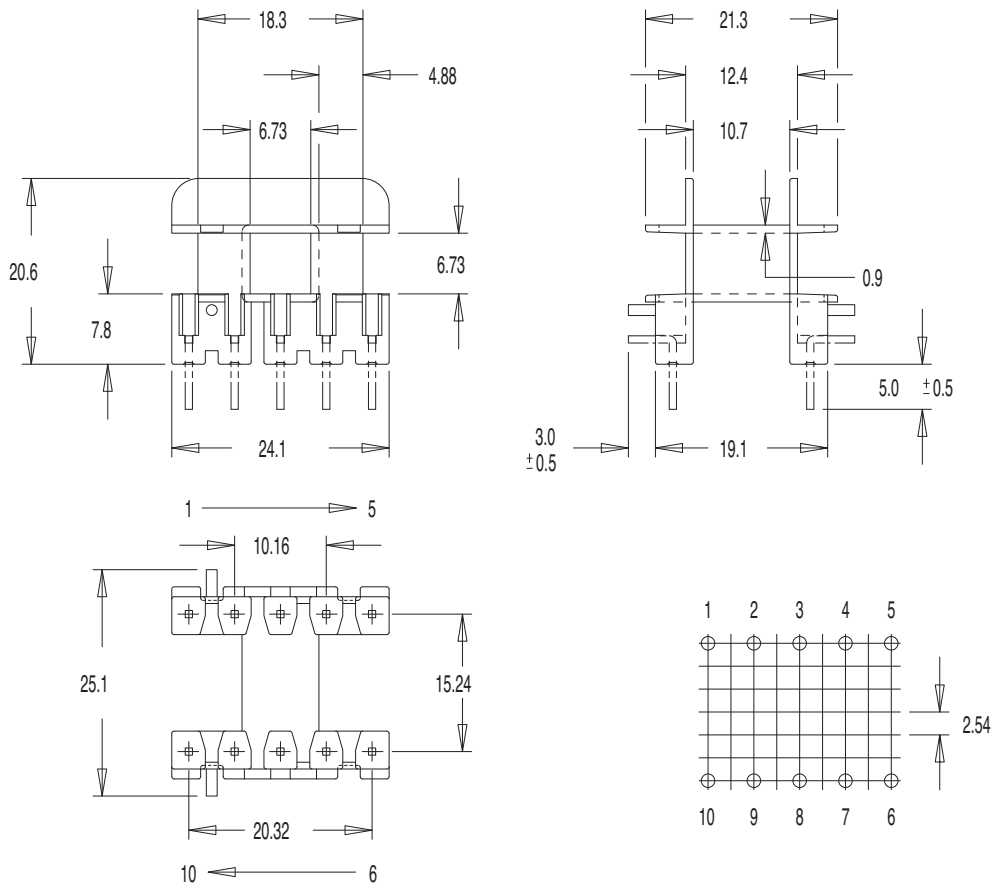
Bobbin size	Type	Terminal type	No. of terminals available	a	b	Part No.
EF 25 x 19 x 6	SS	0.635 Sq.	10 (2 x 5)	-	-	FE0126
EF 25 x 19 x 6	DS	0.635 Sq.	10 (2 x 5)	4.95	4.95	FE0127
EF 25 x 19 x 6	DS	0.635 Sq.	10 (2 x 5)	6.3	3.6	FE0128

Standard materials: Nylon 66 glass reinforced / Nylon 66 glass reinforced to UL94V0  
Pin material: Phosphor Bronze Dimensions in millimetres  
\*Accepts 187 & 262 Lamination sizes

Miles-Platts terminals & wire are now being converted to lead-free  
- please refer to technical sales for details



## EF 25/19/6 (F1238)

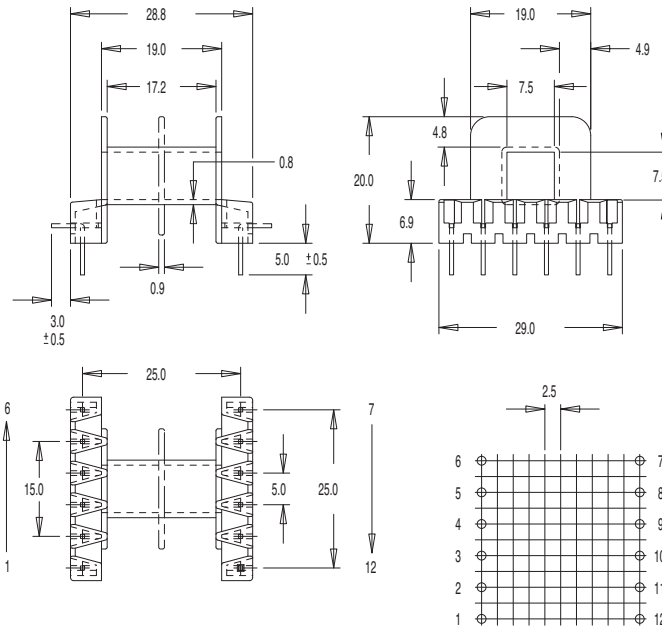


Bobbin size	Type	No. of pins available	Pin size	Part No.
E 25/19/6	SS	10 (2 x 5)	0.8 Sq.	FE0132

Standard materials: Nylon 66 glass reinforced to UL94V0  
 Pin material: Phosphor Bronze Dimensions in millimetres



## EF 30/15/7 HORIZONTAL

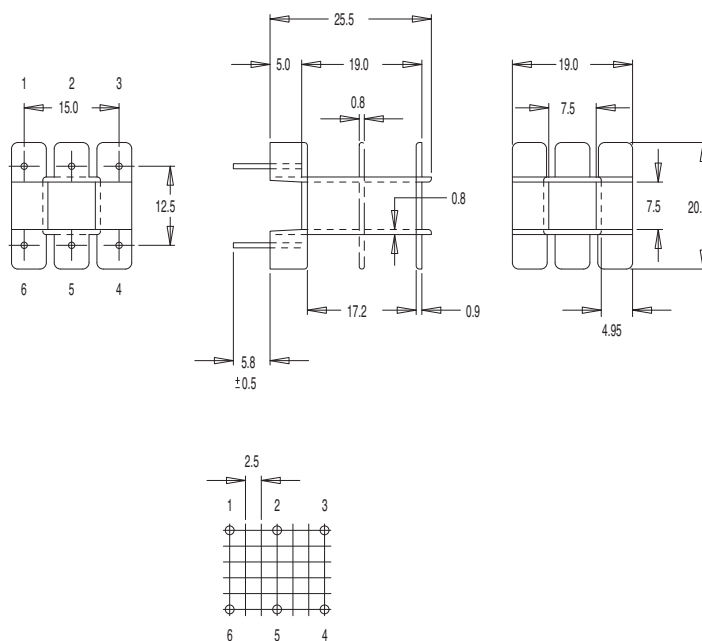


Bobbin size	Type	No. of Pins available	Pin size	Part No.
EF 30/15/7	SS	12 (2 x 6)	0.635 Sq.	FE0152
EF 30/15/7	DS	12 (2 x 6)	0.635 Sq.	FE0153

Standard materials: Nylon 66 glass reinforced /  
Nylon 66 glass reinforced to UL94V0  
Pin material: Phosphor Bronze Dimensions in millimetres

Section 5

## E 30/15/7 VERTICAL

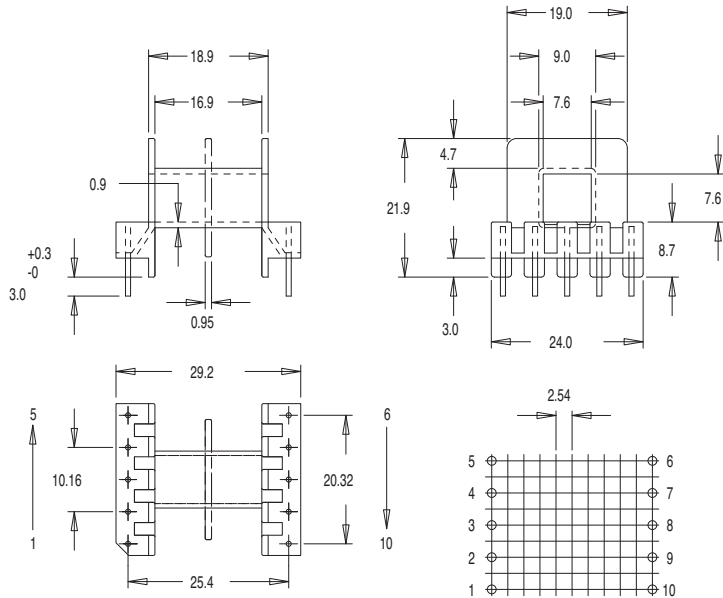


Bobbin size	Type	No. of Pins available	Pin size	Part No.
E 30/15/7	SS	6 (2 x 3)	Ø0.8 or 0.7 Sq.	FE0140
E 30/15/7	DS	6 (2 x 3)	Ø0.8 or 0.7 Sq.	FE0141

Standard materials: Nylon 66 glass reinforced /  
Nylon 66 glass reinforced to UL94V0  
Pin material: Phosphor Bronze Dimensions in millimetres



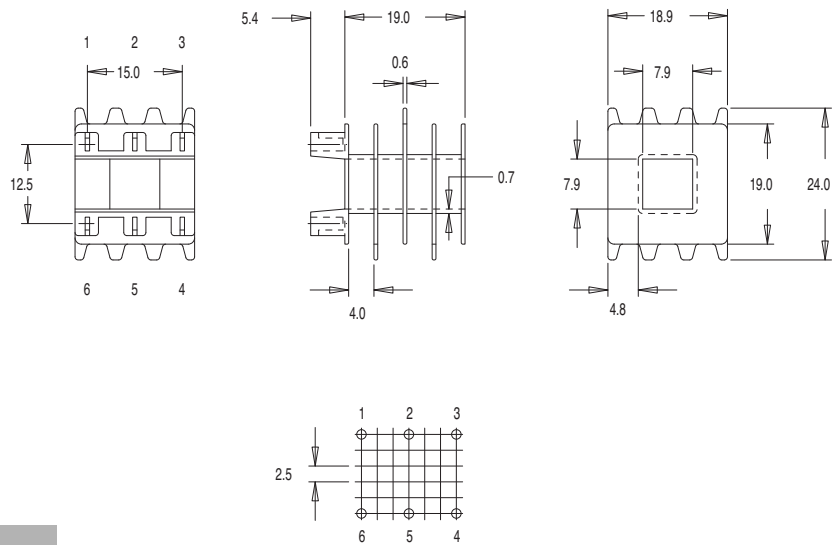
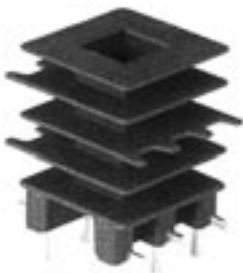
E 30/15/7 HORIZONTAL



Bobbin size	Type	No. of pins available	Pin size	Part No.
E 30/15/7	SS	10 (2 x 5)	0.7 Sq.	FE0155
E 30/15/7	DS	10 (2 x 5)	0.7 Sq.	FE0156

Standard materials: Nylon 66 glass reinforced / Nylon 66 glass reinforced to UL94V0  
Pin material: Phosphor Bronze Dimensions in millimetres

E 30/15/7 VERTICAL



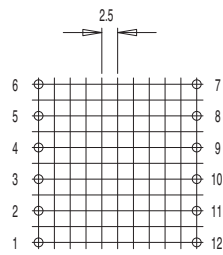
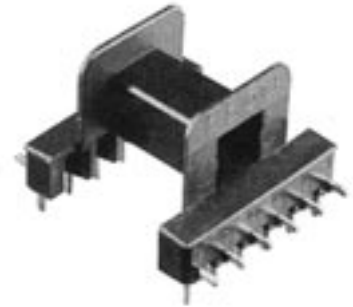
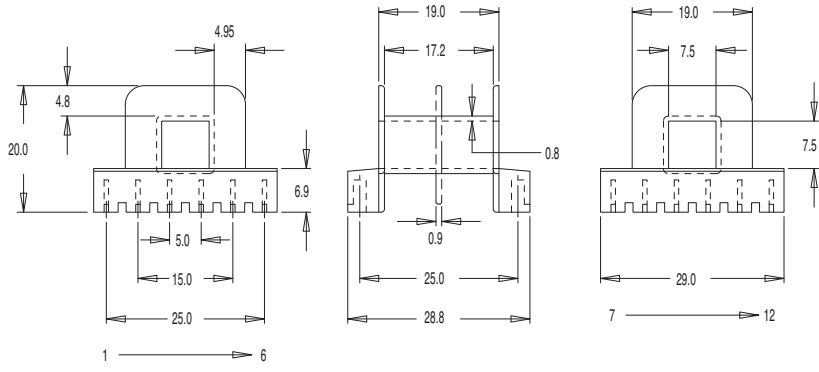
Bobbin size	Terminal type	No. of terminals available	Part No.
E 30/15/7	TBS 600 Series	6 (2 x 3)	FE0145

Standard materials: Nylon 66 glass reinforced to UL94V0 Dimensions in millimetres





E 30/15/7 HORIZONTAL

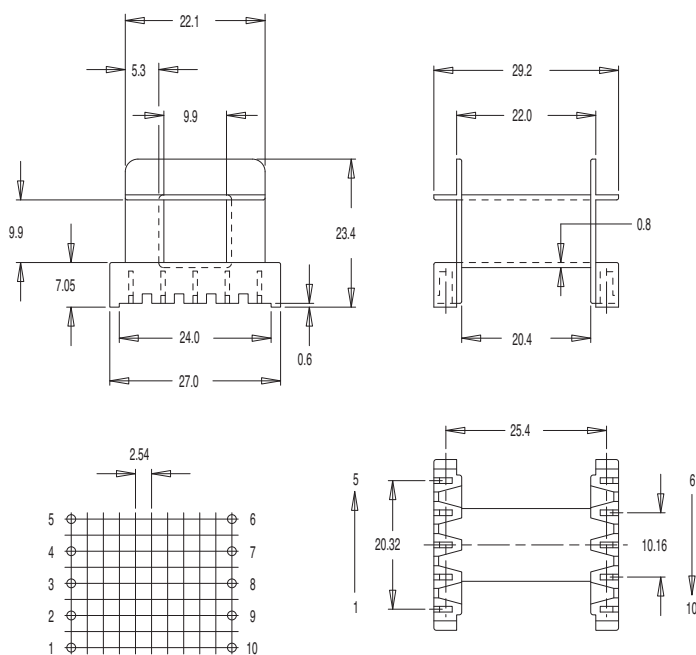


Bobbin size	Type	Terminal type	No. of terminals available	Part No.
E 30/15/7	SS	TBS 600 Series	12 (2 x 6)	FE0150
E 30/15/7	DS	TBS 600 Series	12 (2 x 6)	FE0151

Standard materials: Nylon 66 glass reinforced / Nylon 66 glass reinforced to UL94V0  
Dimensions in millimetres

Section 5

EF 32/16/9



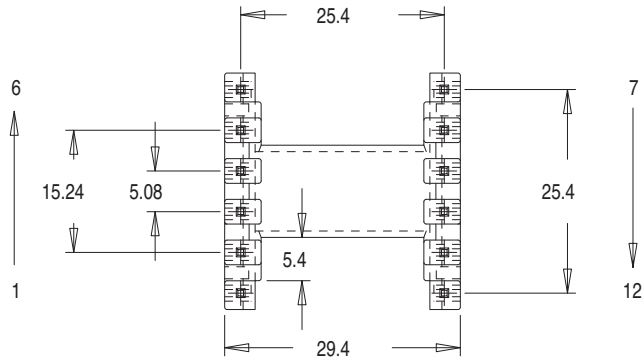
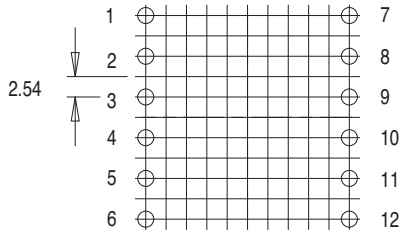
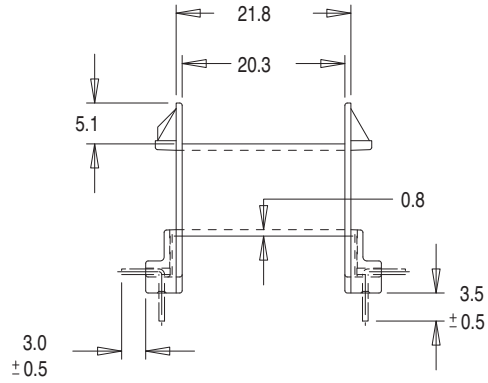
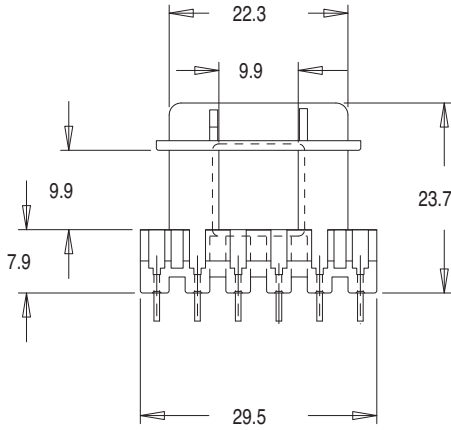
Bobbin size	Type	Terminal type	No. of terminals available	Part No.
E 32/16/9	SS	TBS 600 Series	10 (2 x 5)	FE0160

Standard materials: Nylon 66 glass reinforced to UL94V0  
Dimensions in millimetres

Most products are available direct from stock with same day despatch - please contact sales for details



E 32/16/9 HORIZONTAL



Bobbin size	Type	No. of terminals available	Terminals type	Part No.
E 32/16/9	SS	12 (2 x 6)	0.7 SQ.	FE0165

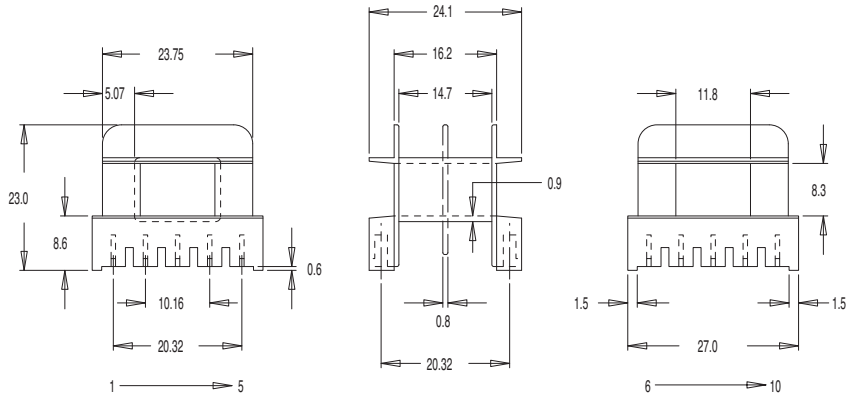
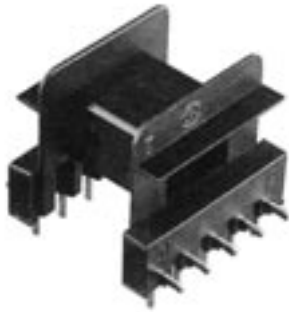
Standard materials: Nylon 66 glass reinforced to UL94V0  
Dimensions in millimetres



# E/EF Ferrite Core Coil Formers

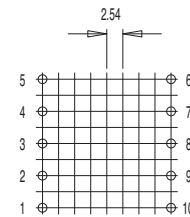
**MILES · PLATTS**

## E 34 X 26 X 8 (F1239)\*

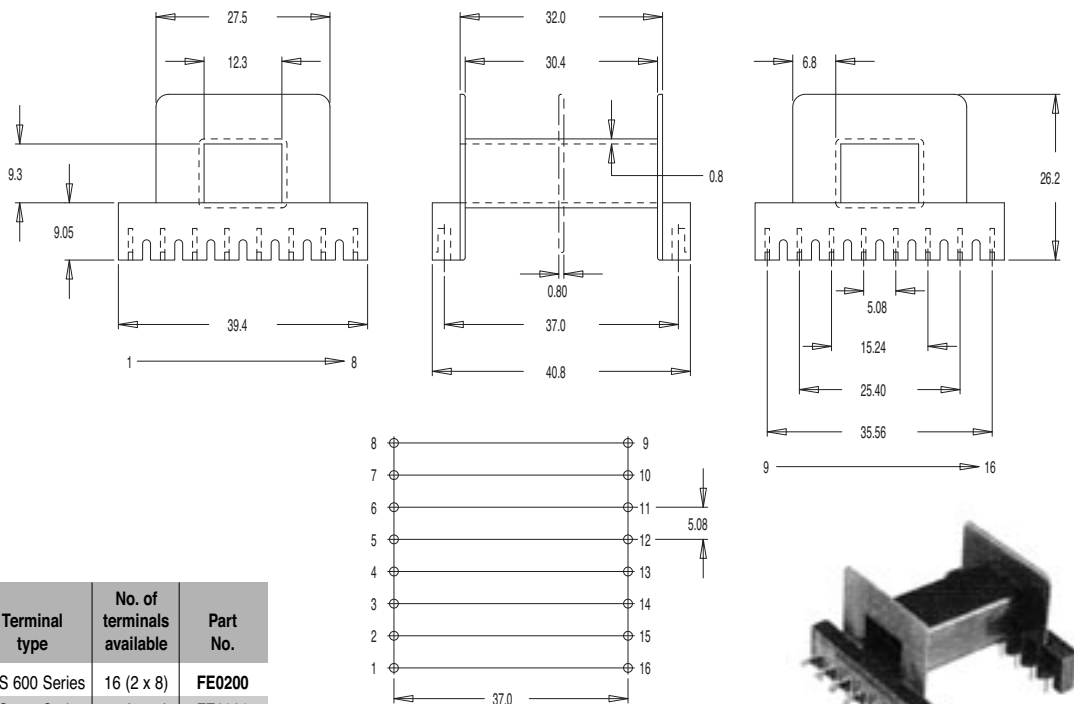


Bobbin size	Type	Terminal type	No. of terminals available	Part No.
E 34 x 26 x 8	SS	TBS 600 Series	10 (2 x 5)	FE0180
E 34 x 26 x 8	DS	TBS 600 Series	10 (2 x 5)	FE0181

Standard materials: Nylon 66 glass reinforced / Nylon 66 glass reinforced to UL94V0  
 Dimensions in millimetres \*Accepts 621 Lamination size

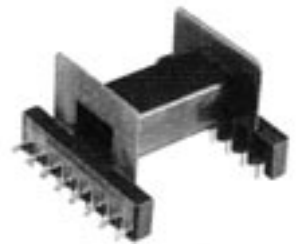


## E 41 X 44 X 9 (F1007)



Bobbin size	Type	Terminal type	No. of terminals available	Part No.
E 41 x 44 x 9	SS	TBS 600 Series	16 (2 x 8)	FE0200
E 41 x 44 x 9	DS	TBS 600 Series	16 (2 x 8)	FE0201

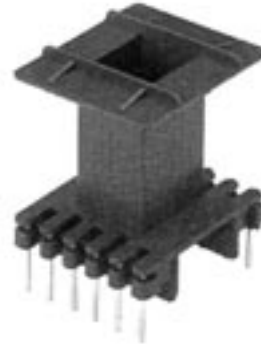
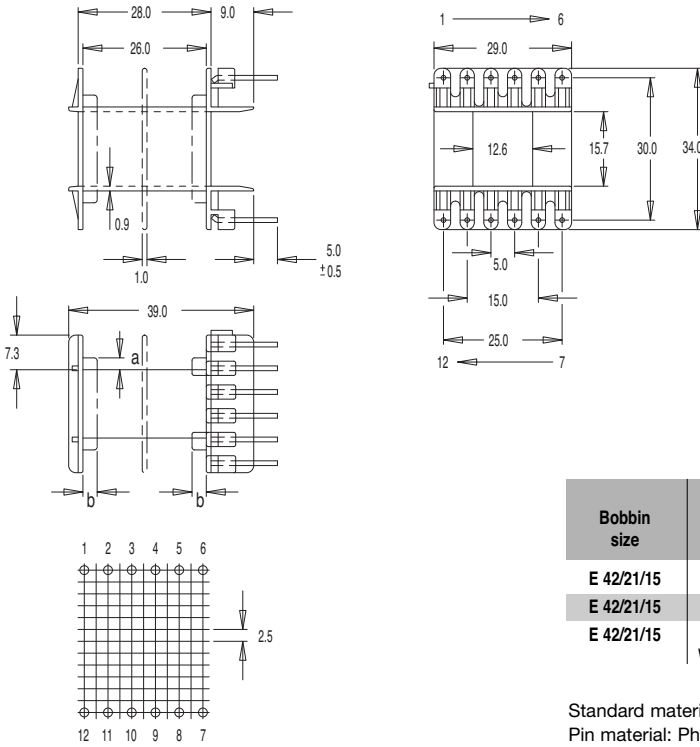
Standard materials: Nylon 66 glass reinforced / Nylon 66 glass reinforced to UL94V0 Dimensions in millimetres



Miles-Platts are technical moulders - we manufacture more than bobbins  
 - please contact sales for details



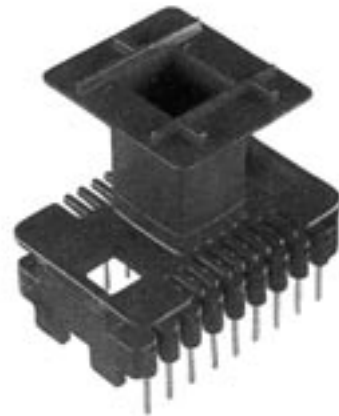
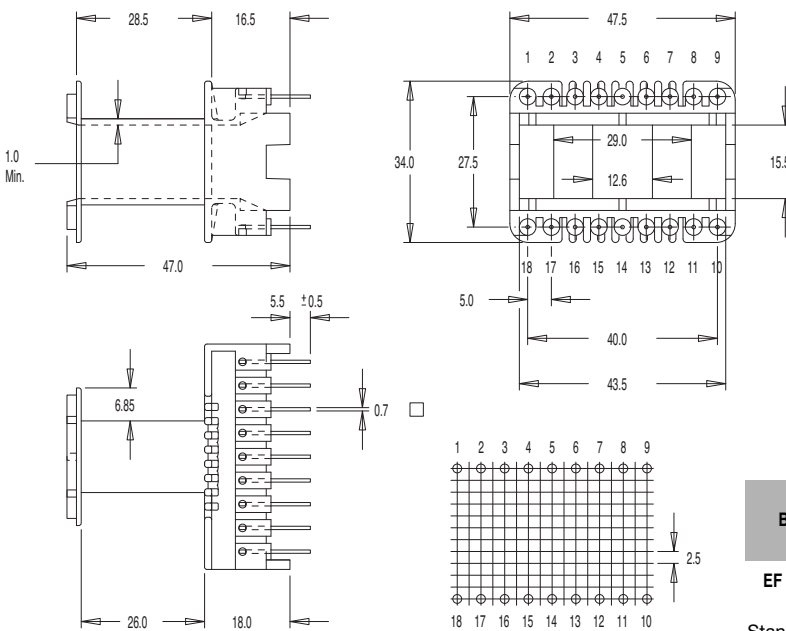
E 42/21/15 VERTICAL



Bobbin size	Type/Description	No. of pins available	Pin size	a	b	Part No.
E 42/21/15	DS	12 (2 x 6)	Ø1.0	-	-	FE0219
E 42/21/15	SS	12 (2 x 6)	Ø1.0	-	-	FE0220
E 42/21/15	SS With primary margins	12 (2 x 6)	Ø1.0	2.5	3.0	FE0221

Standard materials: Nylon 66 glass reinforced to UL94V0  
Pin material: Phosphor Bronze Dimensions in millimetres

E 42/21/15 VERTICAL (18 PINS)

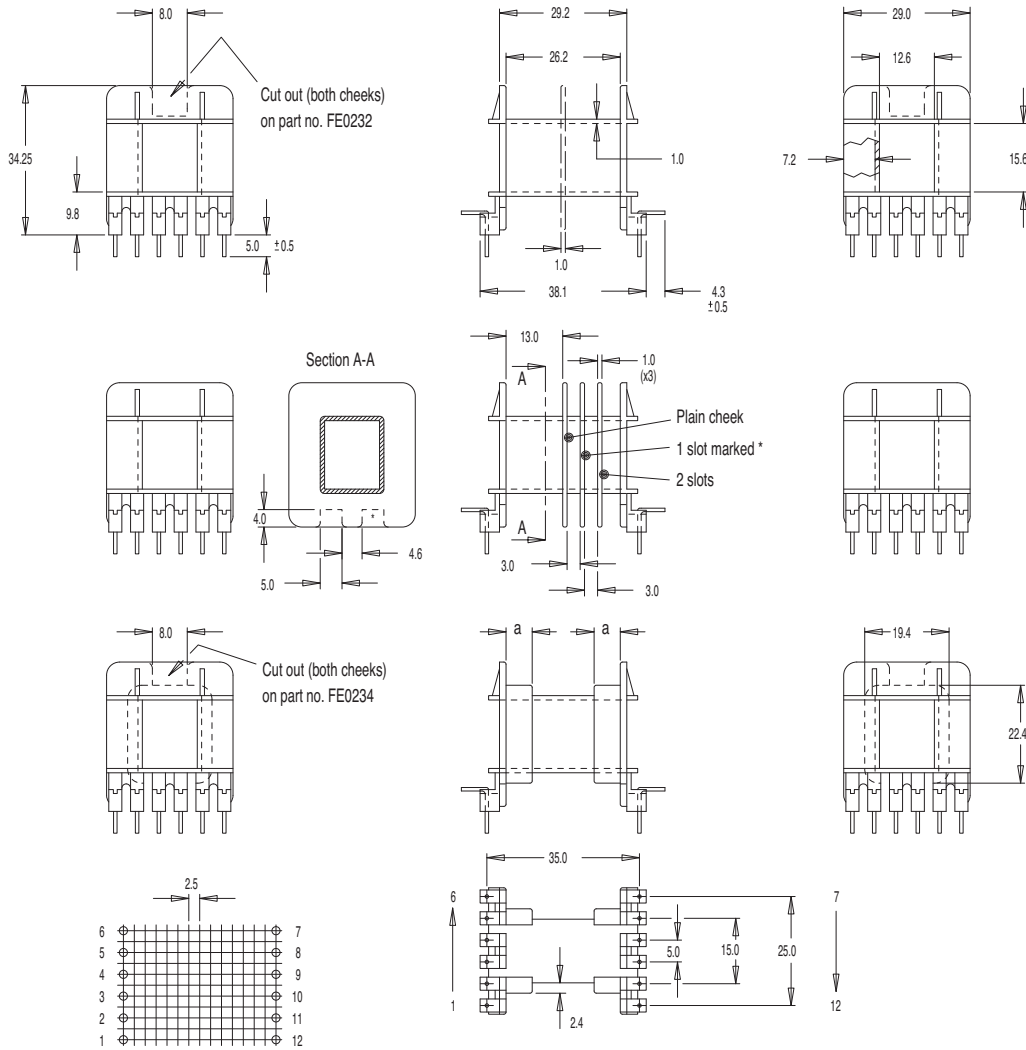


Bobbin size	Type	No. of Pins available	Pin size	Part No.
EF 42/21/15	SS	18 (2 x 9)	0.7 Sq.	FE0222

Standard materials: Nylon 66 glass reinforced to UL94V0  
Pin material: Phosphor Bronze Dimensions in millimetres



## E 42/21/15 HORIZONTAL



Section 5

Bobbin size	Type/Description	No. of pins available	Pin size	a	Part No.
E 42/21/15	SS	12 (2 x 6)	Ø0.9	-	FE0230
E 42/21/15	DS	12 (2 x 6)	Ø0.9	-	FE0231
E 42/21/15	SS With cut out	12 (2 x 6)	Ø0.9	-	FE0232
E 42/21/15	SS With primary margin	12 (2 x 6)	Ø0.9	6.0	FE0233
E 42/21/15	SS With primary margin and cut out	12 (2 x 6)	Ø0.9	3.0	FE0234
E 42/21/15	SS With primary margin	12 (2 x 6)	Ø0.9	6.4	FE0235
E 42/21/15	MS Multi-section	12 (2 x 6)	Ø0.9	-	FE0240



Standard materials: Nylon 66 glass reinforced to UL94V0 Pin material: Phosphor Bronze Dimensions in millimetres

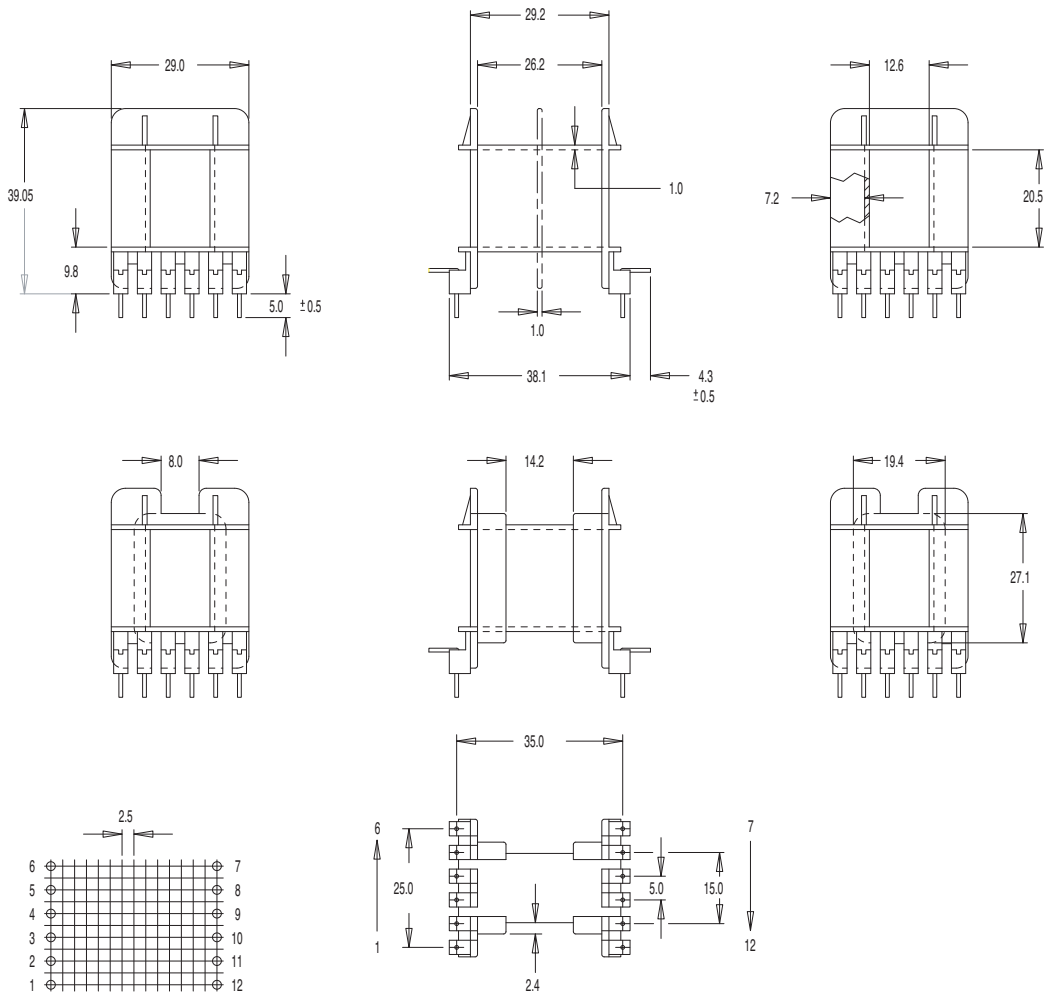
For further technical information please contact sales  
Tel: +44 (0) 116 262 2593 Fax: +44 (0) 116 253 7889



# E/EF Ferrite Core Coil Formers

**MILES · PLATTS**

## E 42/21/20



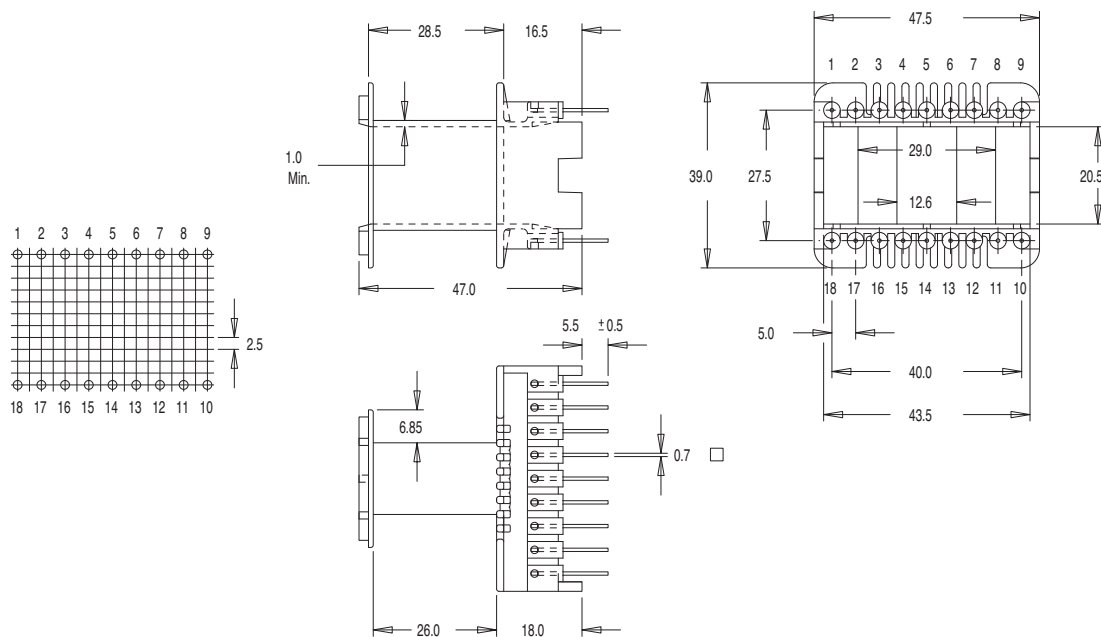
Bobbin size	Type/Description	No. of pins available	Pin size	Part No.
E 42/21/20	SS	12 (2 x 6)	Ø0.9	FE0250
E 42/21/20	DS	12 (2 x 6)	Ø0.9	FE0251
E 42/21/20	SS With primary margin and cut out	12 (2 x 6)	Ø0.9	FE0252

Standard materials: Nylon 66 glass reinforced to UL94V0  
Pin material: Phosphor Bronze Dimensions in millimetres

Most products are available direct from stock with same day despatch  
- please contact sales for details



## E 42/21/20 VERTICAL (18 PINS)



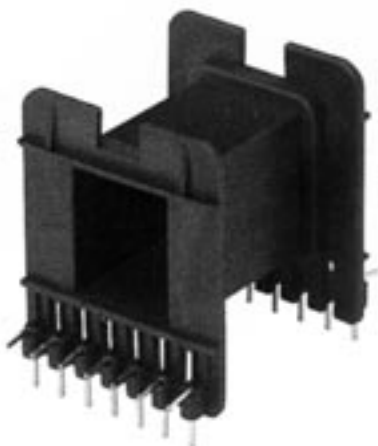
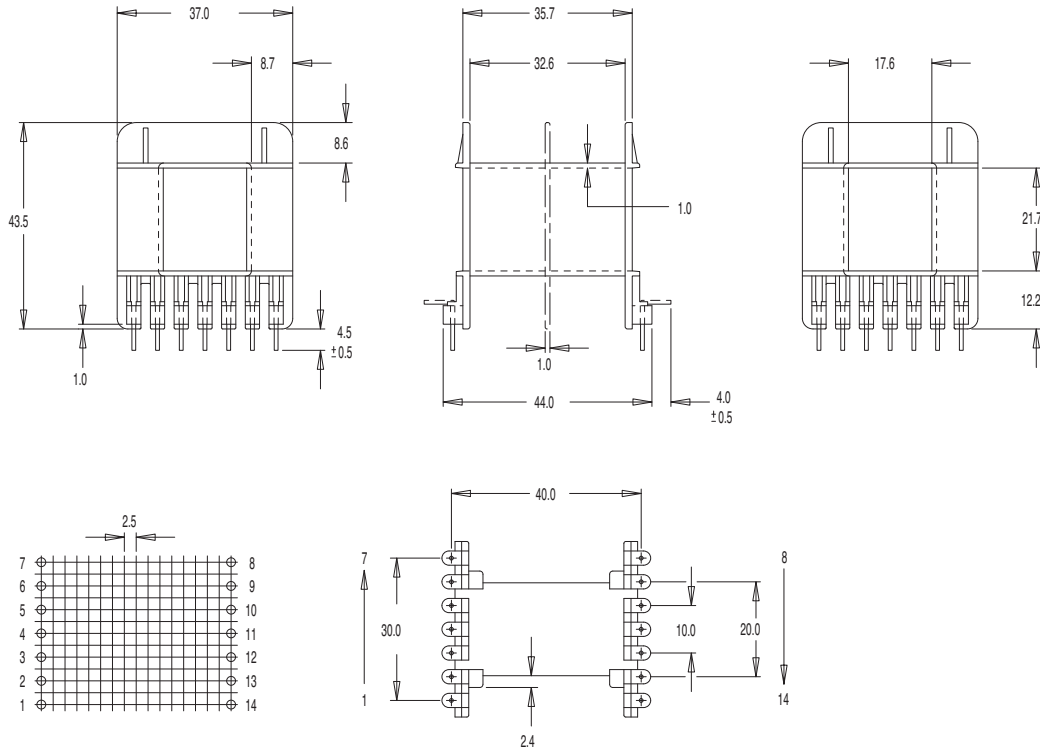
Bobbin size	Type	No. of Pins available	Pin size	Part No.
EF 42/21/20	SS	18 (2 x 9)	0.7 Sq.	FE0226

Standard materials: Nylon 66 glass reinforced to UL94V0 Pin material: Phosphor Bronze Dimensions in millimetres

Section 5



E 55/28/21



Bobbin size	Type/Description	No. of pins available	Pin size	Part No.
EF 55/28/21	SS	14 (2 x 7)	Ø0.9	FE0270
EF 55/28/21	DS	14 (2 x 7)	Ø0.9	FE0271
EF 55/28/21	SS With primary margin and cut out	14 (2 x 7)	Ø0.9	FE0272

Standard materials: Nylon 66 glass reinforced to UL94V0  
Pin material: Phosphor Bronze Dimensions in millimetres

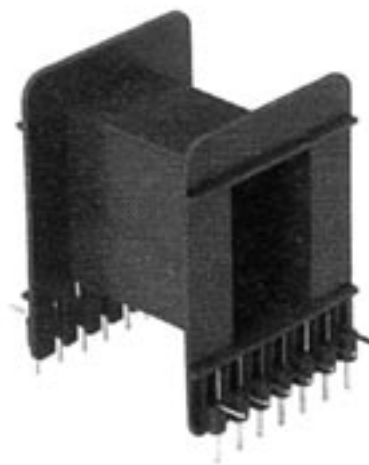
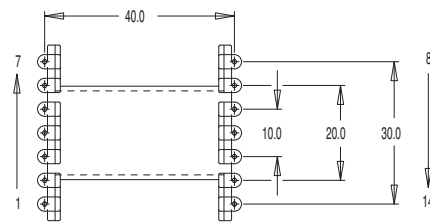
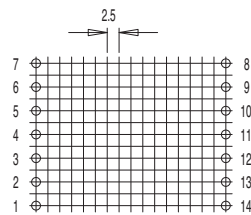
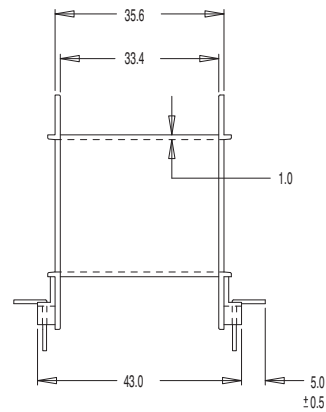
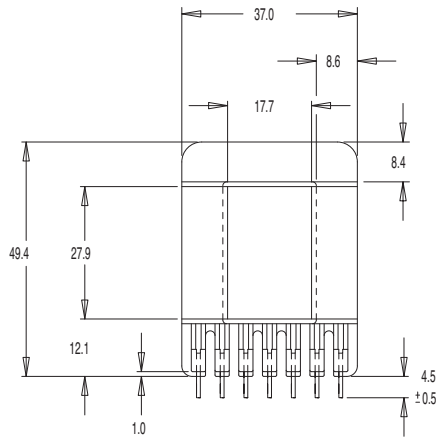




# E/EF Ferrite Core Coil Formers

# MILES · PLATTS

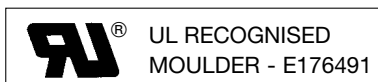
## E 55/28/25



Bobbin size	Type	No. of Pins available	Pin size	Part No.
E 55/28/25	SS	14 (2 x 7)	Ø0.9	FE0290

Standard materials: Nylon 66 glass reinforced to UL94V0 Pin material: Phosphor Bronze Dimensions in millimetres

For further technical information please contact sales@milesplatts.co.uk or www.milesplatts.co.uk

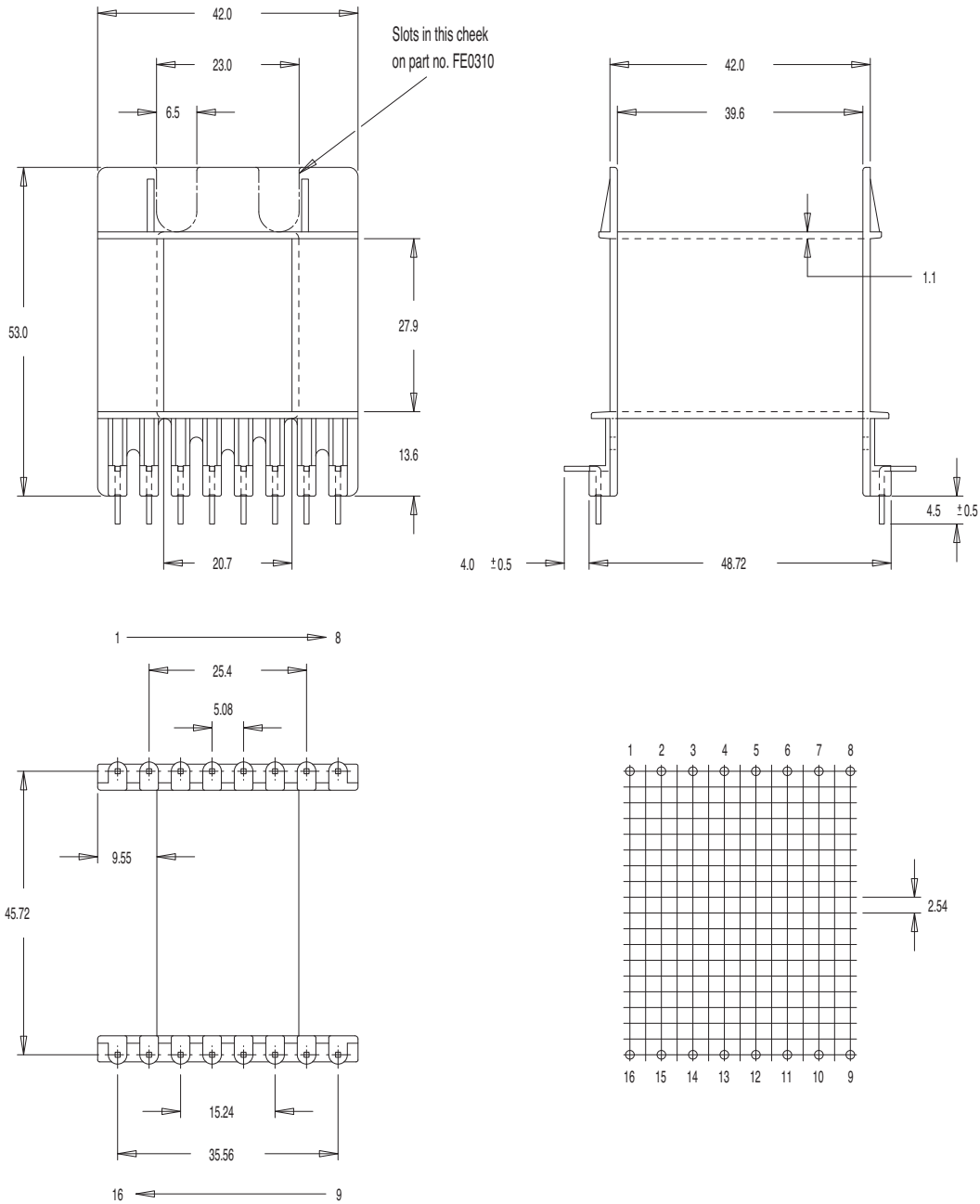


Section 5  
**29**

Section 5



E 65/32/27



Section 5

Bobbin size	Type/Description	No. of Pins available	Pin size	Part No.
E 65/32/27	SS	16 (2 x 8)	0.8 Sq.	FE0300
E 65/32/27	SS with slots	16 (2 x 8)	0.8 Sq.	FE0310

Standard materials: Nylon 66 glass reinforced to UL94V0 Pin material: Phosphor Bronze Dimensions in millimetres

For further technical information please contact sales  
Tel: +44 (0) 116 262 2593 Fax: +44 (0) 116 253 7889