

Threaded Inserts

KEENSERTS® are high strength threaded inserts made from stainless steel 1.4305. They are passivated according to EN 2516. Our **KEENSERTS®** standard product range contains metric thread dimensions. Imperial dimensions and specials are available upon request.

KEENSERTS® may be used in alloys, light materials, steel and cast iron to increase the strength of the thread in these materials. They can also be used for thread repair, whereas the defect thread can be replaced with the same nominal diameter.

KEENSERTS® have less attrition. A multiple tightening and loosening of the bolt is possible. Locking inserts include a dry film lubrication on the surface to protect the screw from galling.

KEENSERTS® have a positive lock against rotation and vibration.

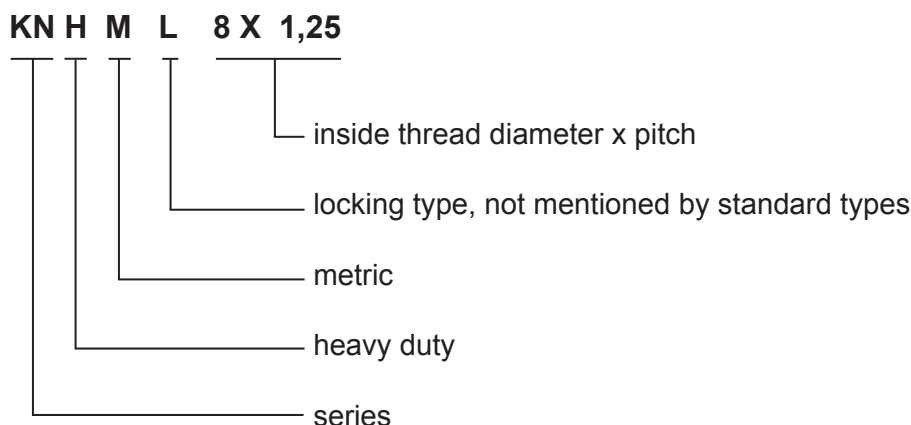
KEENSERTS® have 2 or 4 pre-assembled kees depending on diameter. After installation of the kees into the parent material the assembly is form-closed. No check with a thread gauge according to DIN standard possible in the area of the kees.

Pull-out-strength for **KEENSERTS®**. Calculation as follows:

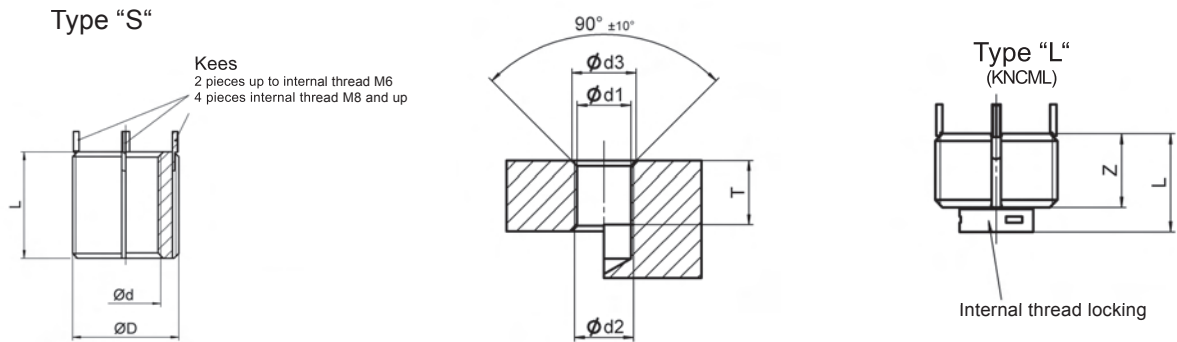
Pull-out-strength(N) = shear engagement (mm²) x ultimate shear strength of parent material (N/mm²)
Data for shear engagement see installation data.

Part-no. example:

The part-no. for metric **KEENSERTS®** are coded as follows:



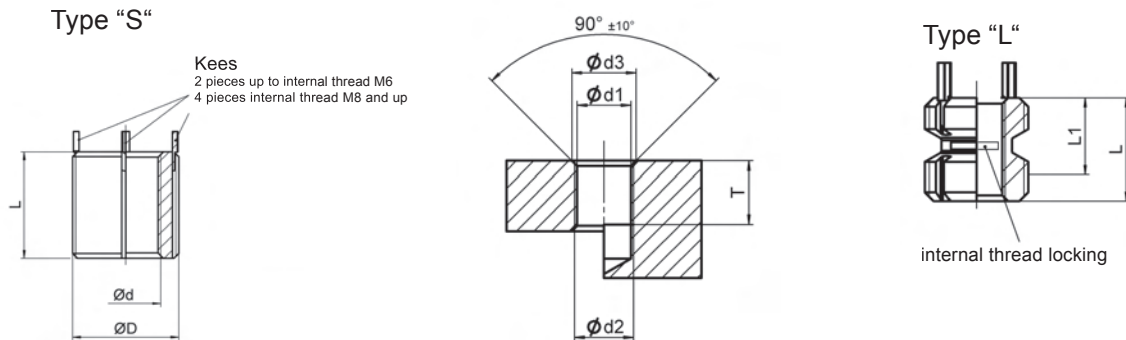
KNCM Series



Part-no.		Dimensions				
Standard type "S"	Locking type "L"	Ø d 5H	Ø D 4h	Shear engagement mm ²	L ± 0,25	Z
KNCM2X0,4		M2	M4	16,5	3	
	KNCML2X0,4			10,3		2,2
KNCM2,5X0,45		M2,5	M4,5X0,75	26,5	3,8	
	KNCML2,5X0,45			15,9		2,7
KNCM3X0,5		M3	M5	33,1	4,25	
	KNCML3X0,5			21,4		3,1
KNCM4X0,7		M4	M6X0,75	58,4	5,25	
	KNCML4X0,7			42,9		4,1

Part-no.	Installation dimensions				Hand instal- lation tool part-no.	Removal dimensions	
	d1 Tap drill- Ø	d3 Counter- sink Ø	Thread			Drill	
			Ø d2 6H	T min.		Ø	Depth
KNCM2X0,4	3,4	4,1	M4	4,0	KRTM2-01	2,8	2,00
KNCML2X0,4							
KNCM2,5X0,45	3,9	4,6	M4,5X0,75	5,0	KRTM2,5-01	3,0	2,00
KNCML2,5X0,45							
KNCM3X0,5	4,4	5,1	M5	5,5	KRTM3-01	3,5	2,25
KNCML3X0,5							
KNCM4X0,7	5,5	6,1	M6X0,75	6,5	KRTM4-01	4,6	2,50
KNCML4X0,7							

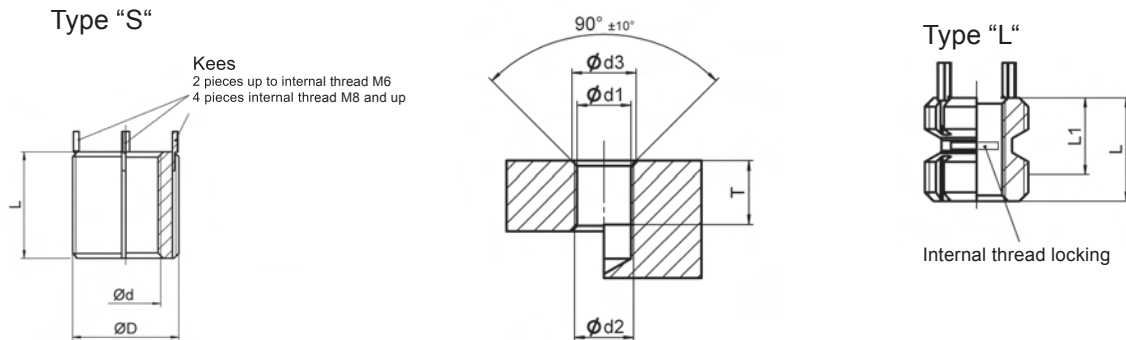
KNM Series



Part-no.		Dimensions				
Standard type "S"	Locking type "L"	Ø d 5H	Ø D 4h	Shear engagement mm ²	L ± 0,25	Z
KNM5X0,8		M5	M8	104,9	8	7,6
	KNML5X0,8			83,1		
KNM6X1,0		M6	M10X1,25	177,7	10	8,2
	KNML6X1,0			152,7		
KNM8X1,25		M8	M12X1,25	266,7	12	9,5
	KNML8X1,25			242,7		
KNM10X1,5		M10	M14X1,5	341,6	14	10,0
	KNML10X1,5			316,4		
KNM12X1,75		M12	M16X1,5	470,2	16	11,2
	KNML12X1,75			441,4		

Part-no.	Installation dimensions				Hand installation tool part-no.	Removal dimensions	
	d1 Tap drill-Ø	d3 Counter-sink Ø	Thread			Drill	
			Ø d2 6H	T min.		Ø	Depth
KNM5X0,8	6,90	8,25	M8	9,5	KRTM5-01	5,5	4,00
KNML5X0,8							
KNM6X1,0	8,80	10,25	M10X1,25	11,5	KRTM6-01	7,5	4,75
KNML6X1,0							
KNM8X1,25	10,80	12,25	M12X1,25	13,5	KRTM8-01	9,5	4,75
KNML8X1,25							
KNM10X1,5	12,80	14,25	M14X1,5	15,5	KRTM10-01	11,5	4,75
KNML10X1,5							
KNM12X1,75	14,75	16,25	M16X1,5	17,5	KRTM12-01	13,5	4,75
KNML12X1,75							

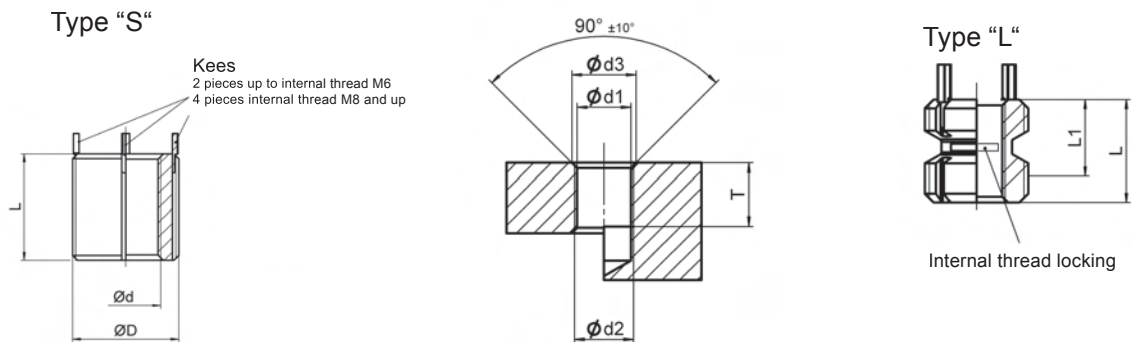
KNHM Series



Part-no.		Dimensions				
Standard type "S"	Locking type "L"	Ø d 5H	Ø D 4h	Shear engagement mm ²	L ± 0,25	Z
KNHM4X0,7		M4	M8	104,9	8	8,0
	KNHML4X0,7			83,1		
KNHM5X0,8		M5	M10X1,25	177,1	10	8,7
	KNHML5X0,8			152,7		
KNHM6X1,0		M6	M12X1,25	266,7	12	9,5
	KNHML6X1,0			242,5		
KNHM8X1,25		M8	M14X1,5	341,6	14	10,0
	KNHML8X1,25			316,4		
KNHM10X1,5		M10	M16X1,5	470,2	16	10,0
	KNHML10X1,5			441,4		
KNHM12X1,75		M12	M18X1,5	608,5	18	10,7
	KNHML12X1,75			561,8		

Part-no.	Installation dimensions				Hand installation tool part-no.	Removal dimensions	
	d1 Tap drill-Ø	d3 Counter-sink Ø	Thread			Drill	
			Ø d2 6H	T min.		Ø	Depth
KNHM4X0,7	6,90	8,25	M8	9,5	KRTM4-02	5,5	4,00
KNHML4X0,7							
KNHM5X0,8	8,80	10,25	M10X1,25	11,5	KRTM5-02	7,5	4,75
KNHML5X0,8							
KNHM6X1,0	10,80	12,25	M12X1,25	13,5	KRTM6-02	9,5	4,75
KNHML6X1,0							
KNHM8X1,25	12,80	14,25	M14X1,5	15,5	KRTM8-02	11,5	4,75
KNHML8X1,25							
KNHM10X1,5	14,80	16,25	M16X1,5	17,5	KRTM10-02	13,5	4,75
KNHML10X1,5							
KNHM12X1,75	12,80	12,80	M18X1,5	19,5	KRTM12-02	15,5	4,75
KNHML12X1,75							

KNHM Series



Part-no.		Dimensions				
Standard type "S"	Locking type "L"	Ø d 5H	Ø D 4h	Shear engagement mm ²	L ± 0,25	Z
KNHM14X2,0		M14	M20X1,5	770,5	20	12,4
	KNHML14X2,0			724,4		
KNHM16X2,0		M16	M22X1,5	896,8	22	12,4
	KNHML16X2,0			855,2		
KNHM18X1,5		M18X1,5	M24X1,5	1084,4	24	16,8
	KNHML18X1,5			1051,5		
KNHM20X2,5		M20	M30X2,0	1774,3	30	17,5
	KNHML20X2,5			1736,4		
KNHM24X3,0		M24	M33X2,0	2189,4	33	19,0
	KNHML24X3,0			2161,9		

Part-no.	Installation dimensions				Hand installation tool part-no.	Removal dimensions	
	d1 Tap drill-Ø	d3 Counter-sink Ø	Thread			Drill	
			Ø d2 6H	T min.		Ø	Depth
KNHM14X2,0	18,75	20,25	M20X1,5	22,5	KRTM14-02	17,50	4,75
KNHML14X2,0							
KNHM16X2,0	20,50	22,25	M22X1,5	24,5	KRTM16-02	17,75	4,75
KNHML16X2,0							
KNHM18X1,5	22,50	24,25	M24X1,5	26,5	KRTM18-02	19,75	4,75
KNHML18X1,5							
KNHM20X2,5	28,00	30,25	M30X2,0	34,5	KRTM20-02	25,75	6,35
KNHML20X2,5							
KNHM24X3,0	31,00	33,25	M33X2,0	37,5	THM24	28,75	6,35
KNHML24X3,0							