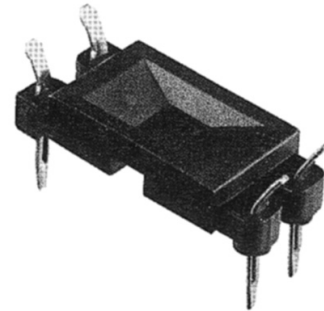
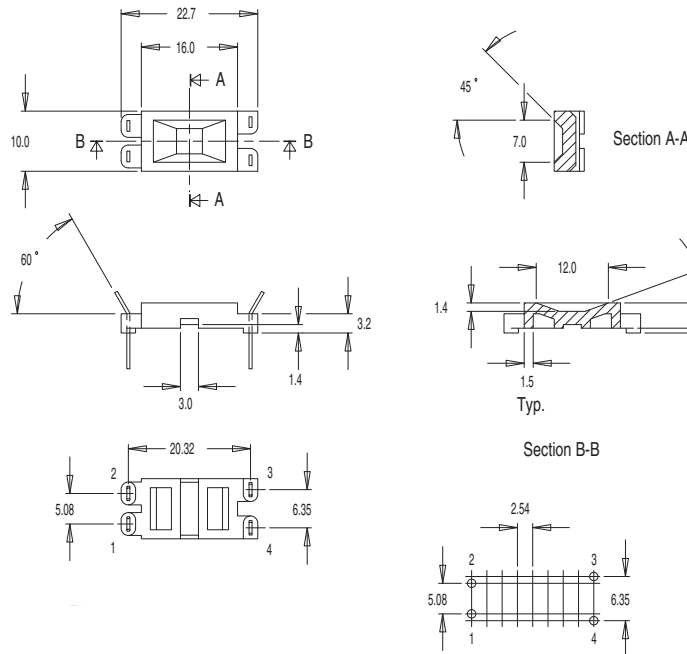




Toroid Mounts

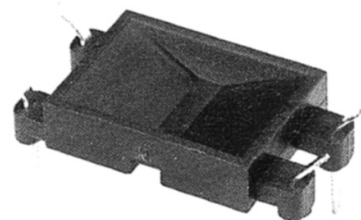
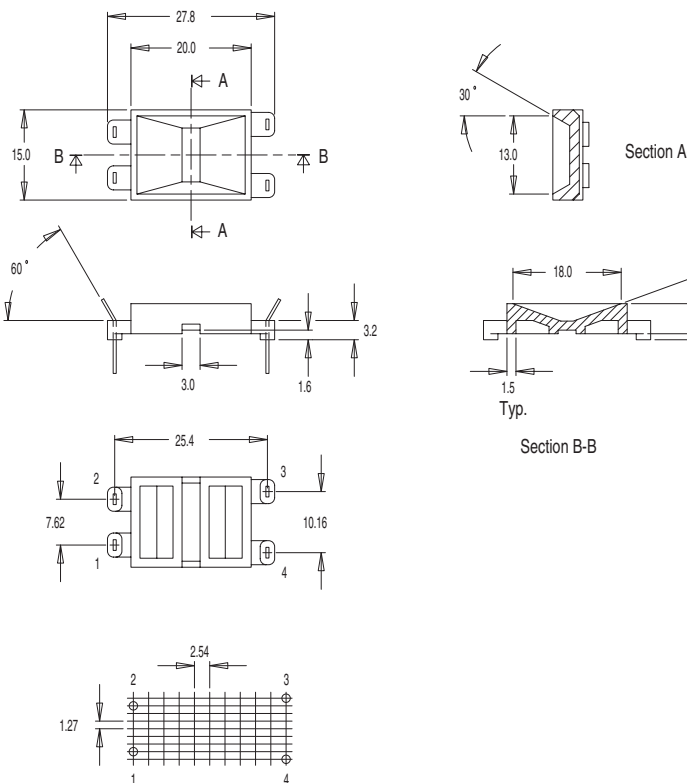
TOROID MOUNT TR0010



Description	Type	Terminal type	No. of terminals available	Part No.
Toroid mount	72958	TBS 901	4 (2 x 2)	TR0010

Standard materials: Nylon 66 glass reinforced /
Nylon 66 glass reinforced to UL94V0
Dimensions in millimetres

TOROID MOUNT TR0020



Description	Type	Terminal type	No. of terminals available	Part No.
Toroid mount	72959	TBS 901	4 (2 x 2)	TR0020

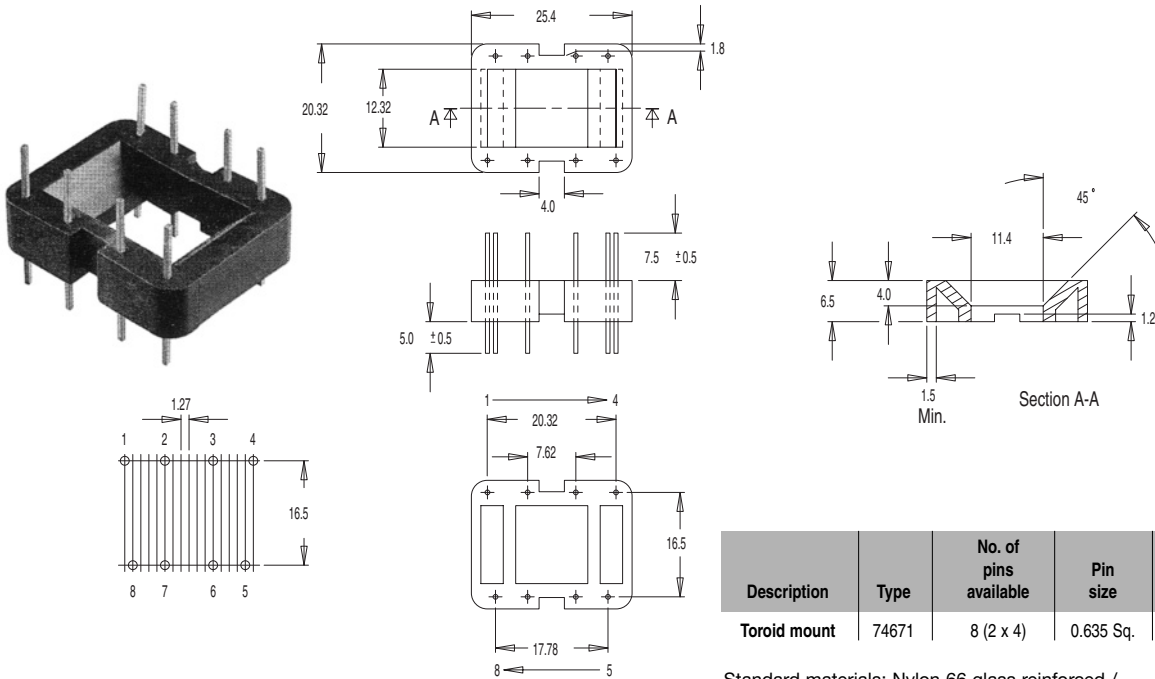
Standard materials: Nylon 66 glass reinforced /
Nylon 66 glass reinforced to UL94V0
Dimensions in millimetres



Toroid Mounts

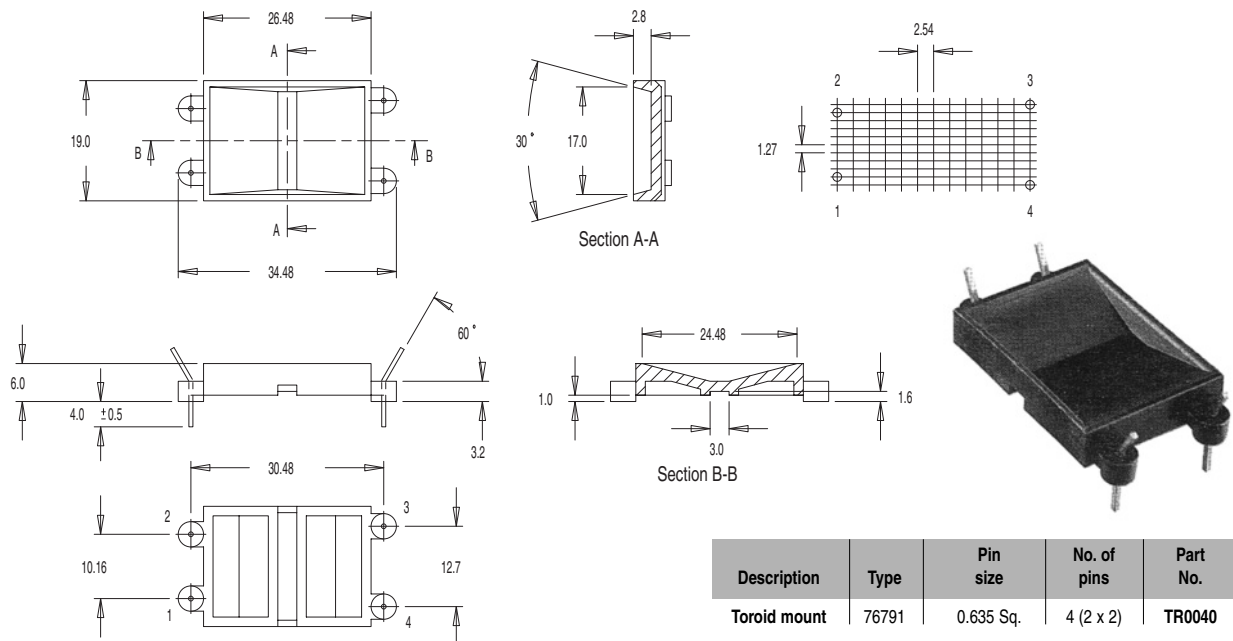
MILES · PLATTS

TOROID MOUNT TR0030



Standard materials: Nylon 66 glass reinforced /
 Nylon 66 glass reinforced to UL94V0
 Pin material: Phosphor Bronze Dimensions in millimetres

TOROID MOUNT TR0040



Standard materials: Nylon 66 glass reinforced /
 Nylon 66 glass reinforced to UL94V0
 Pin material: Phosphor Bronze Dimensions in millimetres

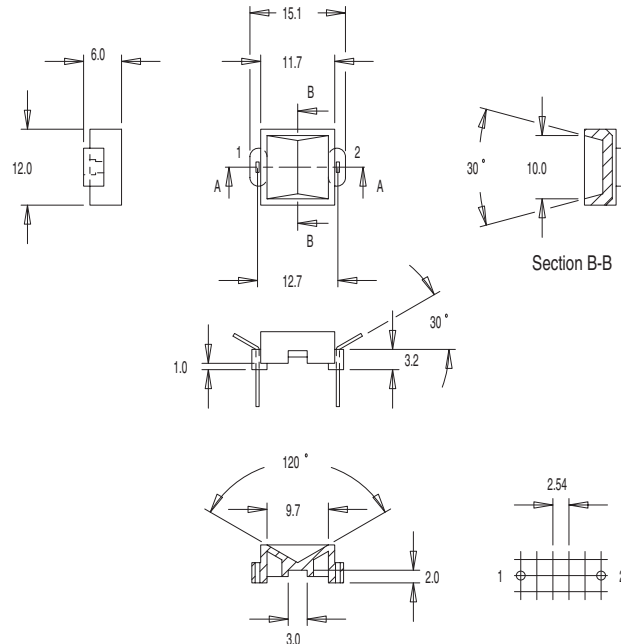
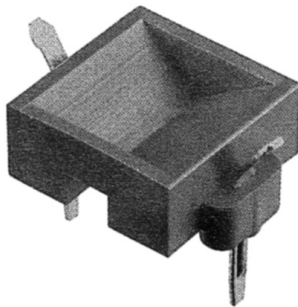
Miles-Platts terminals & wire are now being converted to lead-free
 - please refer to technical sales for details

Section 6



Toroid Mounts

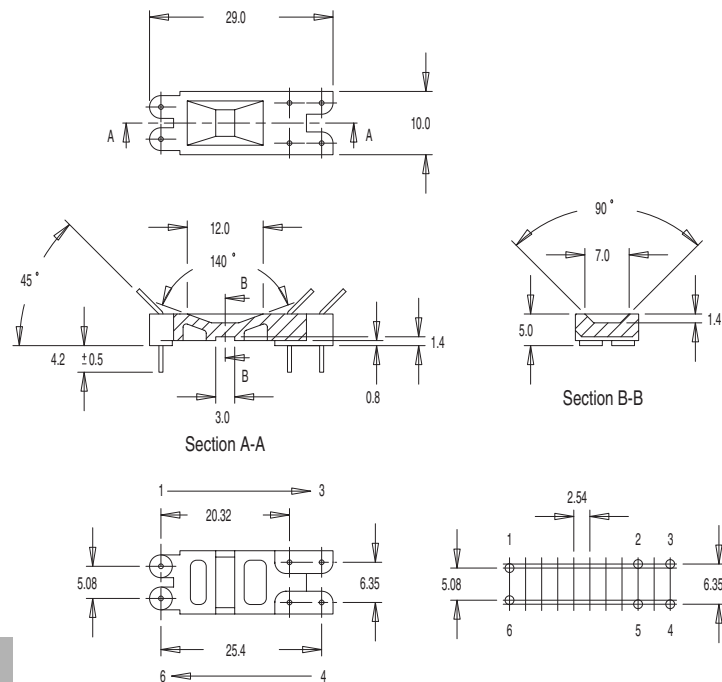
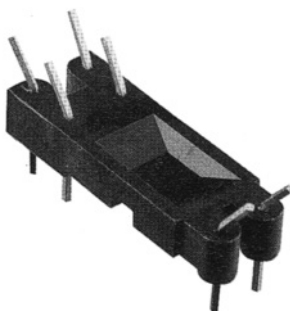
TOROID MOUNT TR0050



Description	Type	Terminal type	No. of terminals available	Part No.
Toroid mount	79796	TBS 901	2	TR0050

Standard materials: Nylon 66 glass reinforced /
Nylon 66 glass reinforced to UL94V0 Dimensions in millimetres

TOROID MOUNT TR0060



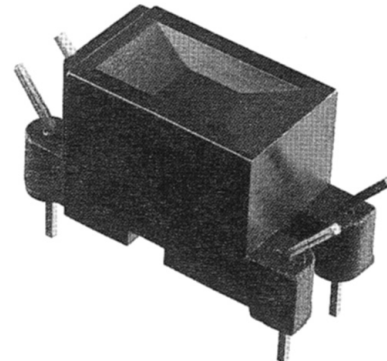
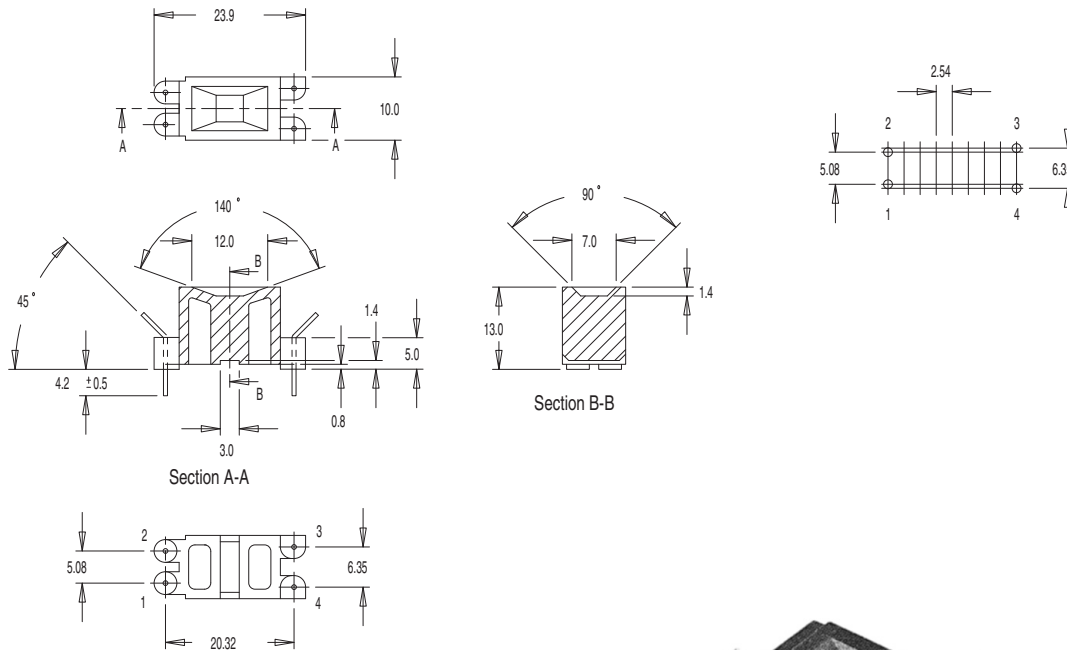
Description	Type	Pin size	No. of pins	Part No.
Toroid mount	76507	0.635 Sq.	6 (2 x 3)	TR0060

Standard materials: Nylon 66 glass reinforced /
Nylon 66 glass reinforced to UL94V0 Dimensions in millimetres



Toroid Mounts

TOROID MOUNT TR0070



Description	Type	Pin size	No. of pins	Part No.
Toroid mount	77379	0.635 Sq.	4 (2 x 2)	TR0070

Standard materials: Nylon 66 glass reinforced /
 Nylon 66 glass reinforced to UL94V0
 Pin material: Phosphor Bronze Dimensions in millimetres

Section 6